

Service Data

Vickers®

# Vane Pumps

---

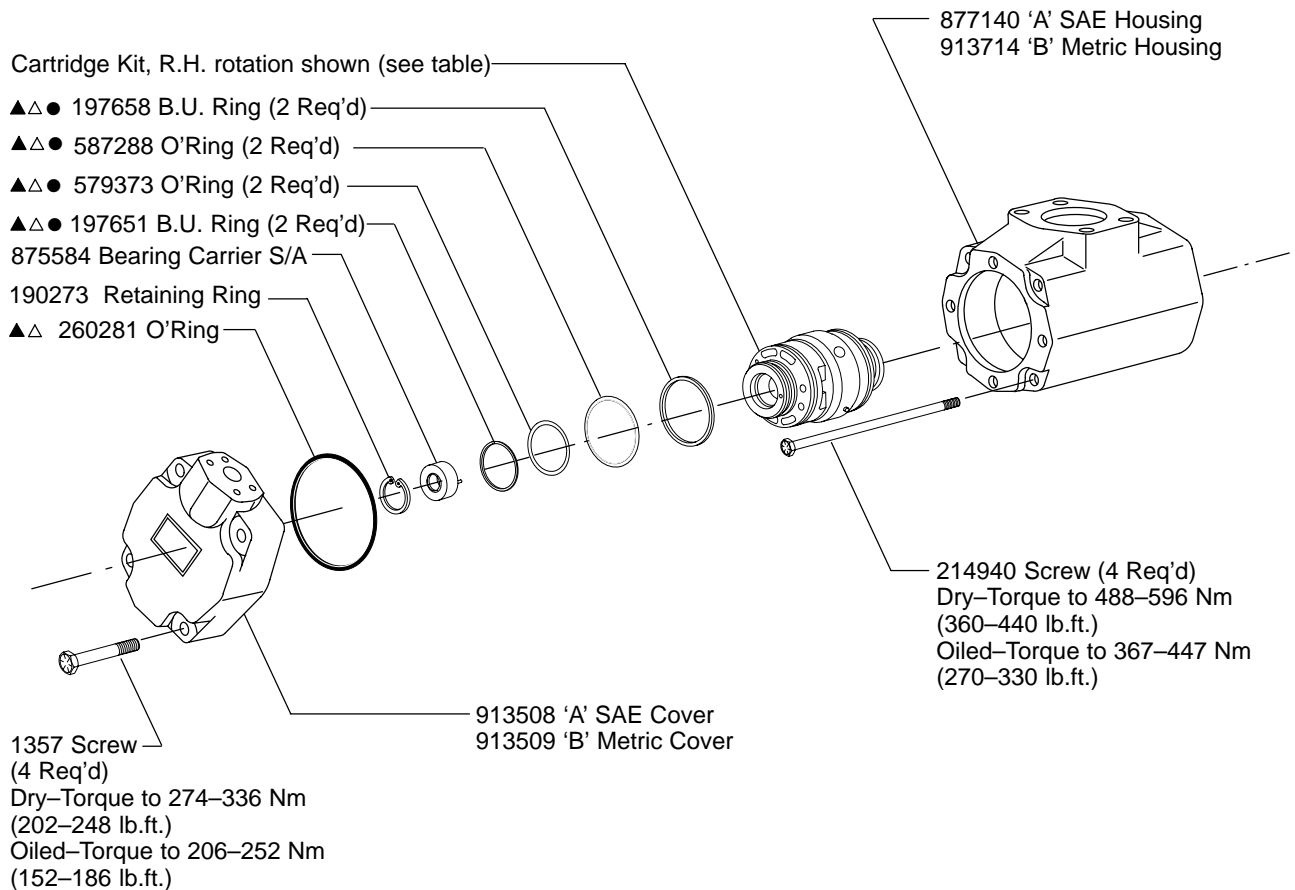


## High Pressure, High Performance Double Vane Pump

4525VPF Series -21 Design

To reverse Cartridge rotation remove Retaining Ring and Bearing Carrier S/A. Install Bearing Carrier S/A and Retaining Ring in opposite end of Cartridge and reinstall Cartridge facing in opposite direction. For R.H. rotation the end of the Cartridge with screw heads showing will be installed toward the cover end. For L.H. rotation the end of the Cartridge with screw heads showing will be installed toward the shaft end.

Model Code (Cover End)	● Cartridge Kit Standard	● Cartridge Kit Viton®
4525VPF-**-010	02-319101	02-319102
4525VPF-**-016	02-319103	02-319104
4525VPF-**-025	02-319105	02-319106
4525VPF-**-032	02-319107	02-319108
4525VPF-**-040	02-319109	02-319110
4525VPF-**-050	02-319111	02-379112
4525VPF-**-063	02-319113	02-319114
4525VPF-**-071	02-319115	02-319116
4525VPF-**-080	02-319117	02-319118



Parts prefixed with symbols are available only in kits.

▲ Available in 02-160546 Std Seal Kit, Single Shaft Seal or 02-160547 Viton® Seal Kit, Single Shaft Seal only.

△ Available in 02-160548 Std Seal Kit, Double Shaft Seal or 02-160549 Viton® Seal Kit, Double Shaft Seal only.

★ Included in Flange Kits (see table).

● Included in Cartridge Kits (see table).

Viton® is a registered trademark of the E.I. DuPont Co.

NOTE: Lubricate all parts and seals with a thin coat of oil at assembly.

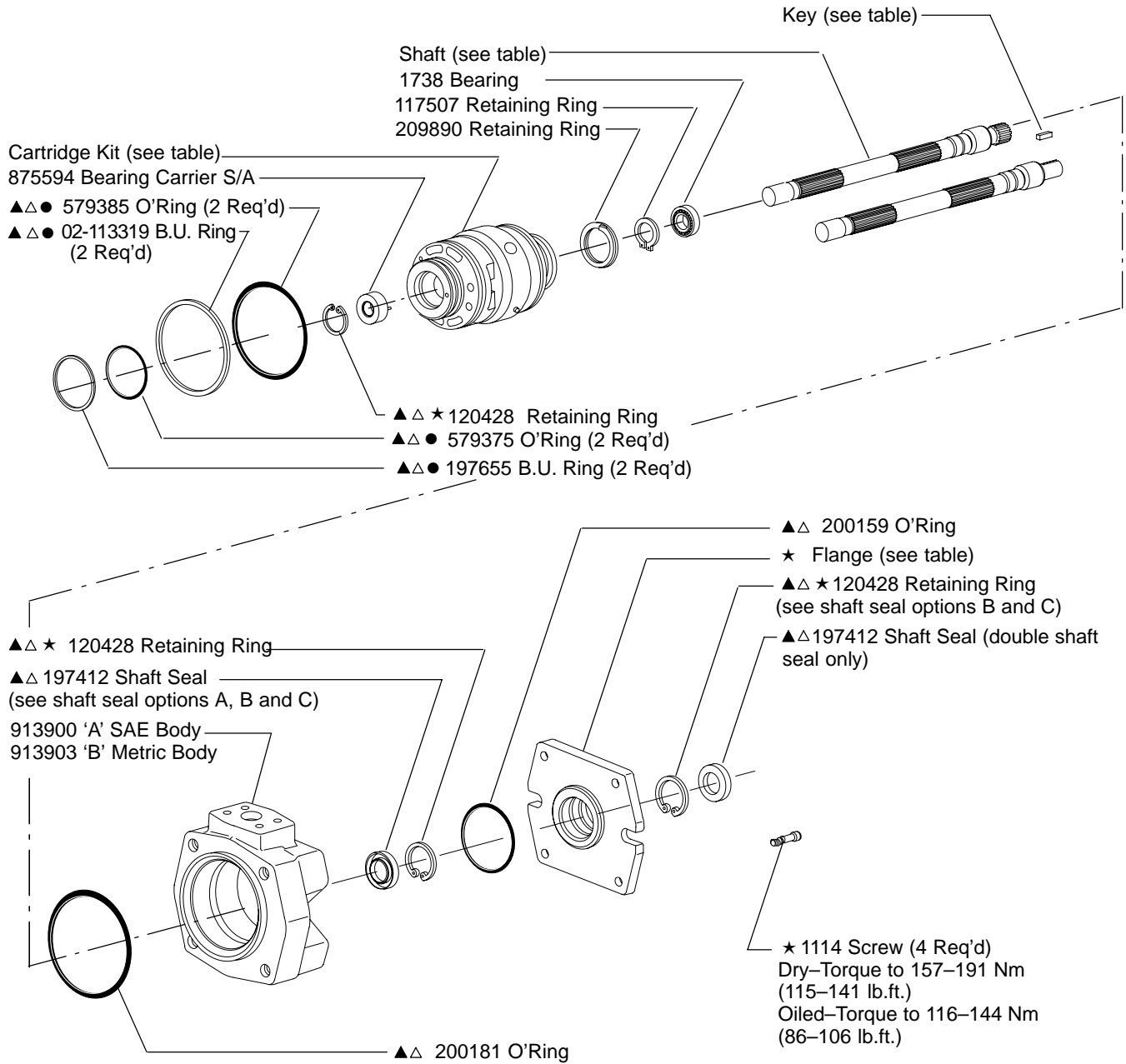
#### Shaft Seal Options

**A** – Primary seal only: spring loaded sealing member facing inward.

**B** – Primary and secondary seals: primary seal with spring loaded sealing member facing inward and secondary seal with spring loaded sealing member facing outward.

**C** – Primary and secondary seals: both with spring loaded sealing member facing inward.

Model Code (Shaft End)	● Cartridge Kit Standard	● Cartridge Kit Viton®
4525VPF-140-***	02-322069	02-322070
4525VPF-160-***	02-322071	02-322072
4525VPF-180-***	02-322073	02-322074
4525VPF-195-***	02-322075	02-322076



Flange Type	★ Flange Kit	
	Single Shaft Seal	Double Shaft Seal
SAE J744-127-2 (SAE C)	02-142497	02-142501
ISO 3019/2-125A2HW	02-142498	02-142502
SAE J744 152-2 (SAE D)	02-142499	02-142503
ISO 3019/2-160A2HW	02-142500	02-142500

Model Code	Shaft	Key
4525VPF-***-***-**-01	928535	928542
4525VPF-***-***-**-02	928536	—
4525VPF-***-***-**-03	928537	928547
4525VPF-***-***-**-05	928557	928543
4525VPF-***-***-**-06	877138	—



**Eaton Hydraulics**

15151 Highway 5  
Eden Prairie, MN 55344  
Telephone: 612 937-7254  
Fax: 612 937-7130  
[www.eatonhydraulics.com](http://www.eatonhydraulics.com)

46 New Lane, Havant  
Hampshire PO9 2NB  
England  
Telephone: (44) 170-548-6451  
Fax: (44) 170-548-7110

