

Service Data

Vickers®

Pumps

---

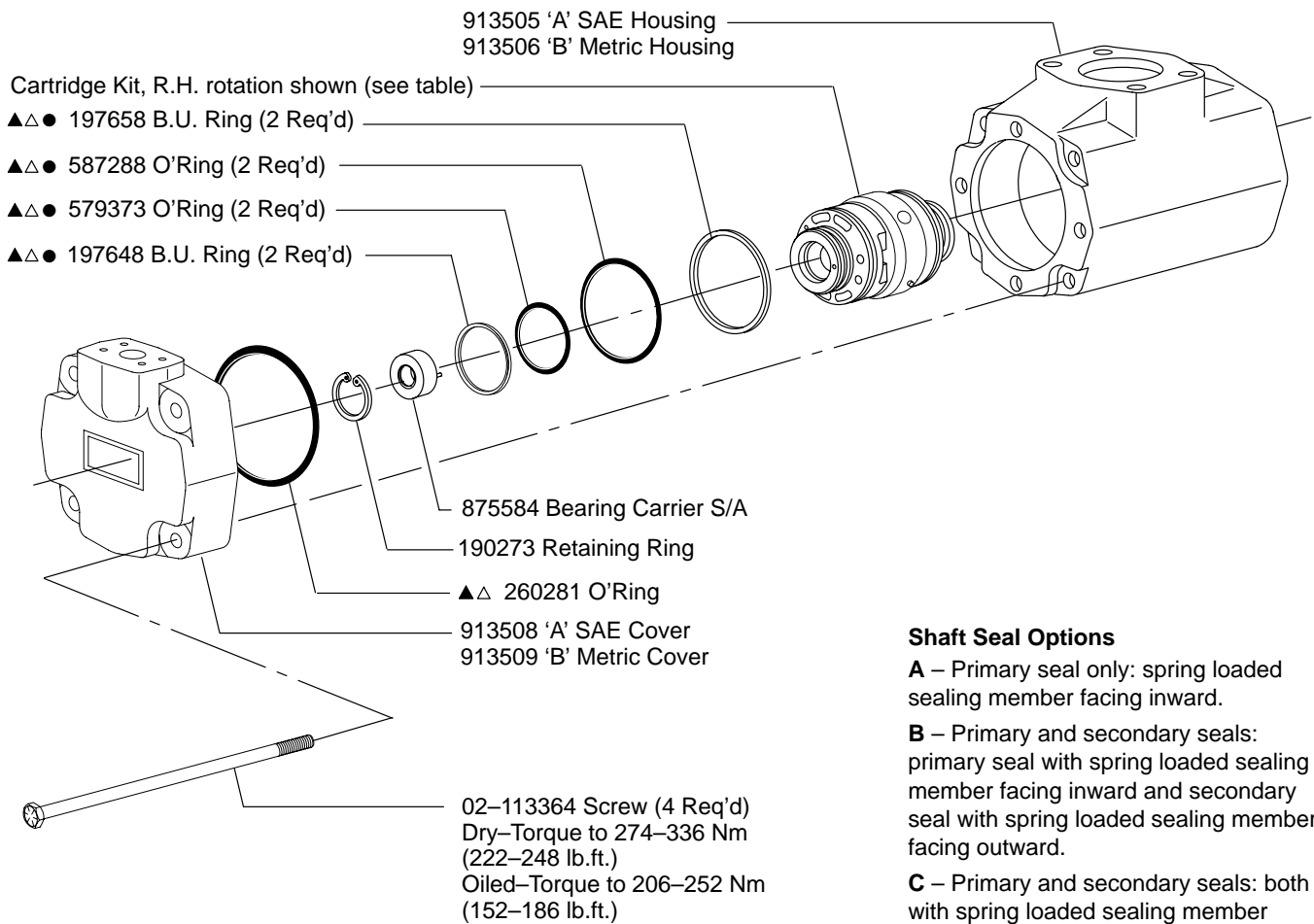


## High Pressure, High Performance Double Vane Pump

2525VPF Series -21 Design

**OUT OF PRINT**

To reverse Cartridge rotation remove Retaining Ring and Bearing Carrier S/A. Install Bearing Carrier S/A and Retaining Ring in opposite end of Cartridge and reinstall Cartridge facing in opposite direction. For R.H. rotation the end of the Cartridge with screw heads showing will be installed toward the cover end. For L.H. rotation the end of the Cartridge with screw heads showing will be installed toward the shaft end.



### Shaft Seal Options

**A** – Primary seal only: spring loaded sealing member facing inward.

**B** – Primary and secondary seals: primary seal with spring loaded sealing member facing inward and secondary seal with spring loaded sealing member facing outward.

**C** – Primary and secondary seals: both with spring loaded sealing member facing inward.

NOTE: Lubricate all parts and seals with a thin coat of oil at assembly. Parts prefixed with symbols are available only in kits.

▲ 02-160534 STD Seal Kit, Single Shaft Seal or  
02-160535 Viton® Seal Kit, Single Shaft Seal

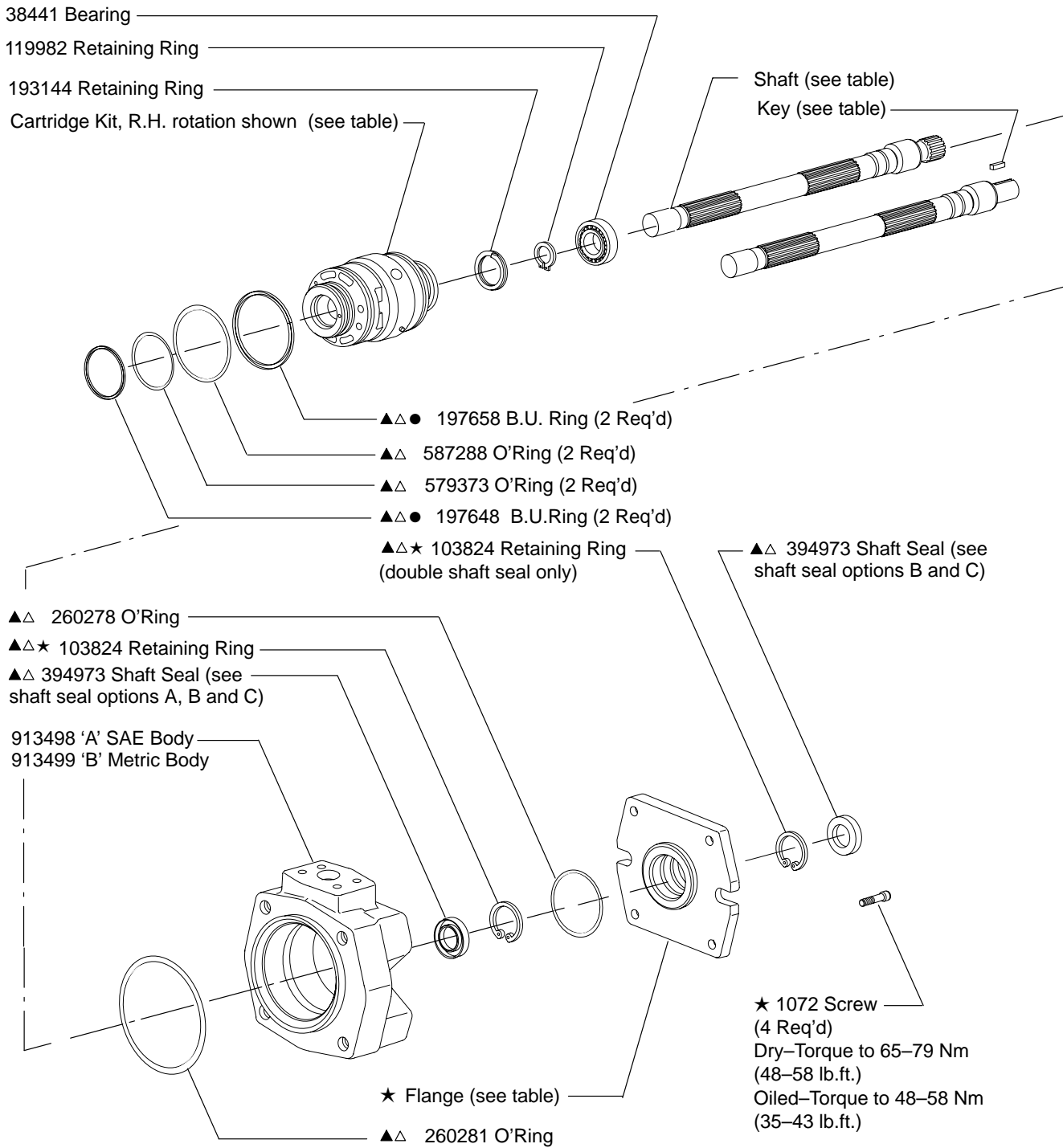
△ 02-160536 STD Seal Kit, Double Shaft Seal or  
02-160537 Viton® Seal Kit, Double Shaft Seal

★ Included in Flange Kits (See table).

● Included in Cartridge Kit (see table).

Viton® is a registered trademark of the E.I. DuPont Co.

Model Code (Cover and Shaft End)	● Cartridge Kit Standard	● Cartridge Kit Viton®
2525VPF-010	02-319101	02-319102
2525VPF-016	02-319103	02-319104
2525VPF-025	02-319105	02-319106
2525VPF-032	02-319107	02-319108
2525VPF-040	02-319109	02-319110
2525VPF-050	02-319111	02-379112
2525VPF-063	02-319113	02-319114
2525VPF-071	02-319115	02-319116
2525VPF-080	02-319117	02-319118



Model Code	Shaft	Key
2525VPF-***-***-*_-01	913266	928540
2525VPF-***-***-*_-02	913267	—
2525VPF-***-***-*_-03	913268	928545
2525VPF-***-***-*_-05	913269	928541
2525VPF-***-***-*_-06	877142	—
2525VPF-***-***-*_-07	913270	928546

Flange Type	★ Flange Kit	
	Single Shaft Seal	Double Shaft Seal
SAE J744-101-2 (SAE B)	02-142476	02-142480
ISO 3019/2-100A2HW	02-142477	02-142481
SAE J744 127-2 (SAE C)	02-142478	02-142482
ISO 3019/2-125A2HW	02-142479	02-142483



**Eaton Hydraulics**

15151 Highway 5  
Eden Prairie, MN 55344  
Telephone: 612 937-7254  
Fax: 612 937-7130  
[www.eatonhydraulics.com](http://www.eatonhydraulics.com)

46 New Lane, Havant  
Hampshire PO9 2NB  
England  
Telephone: (44) 170-548-6451  
Fax: (44) 170-548-7110

