

Service Data

Vickers®

Directional Controls

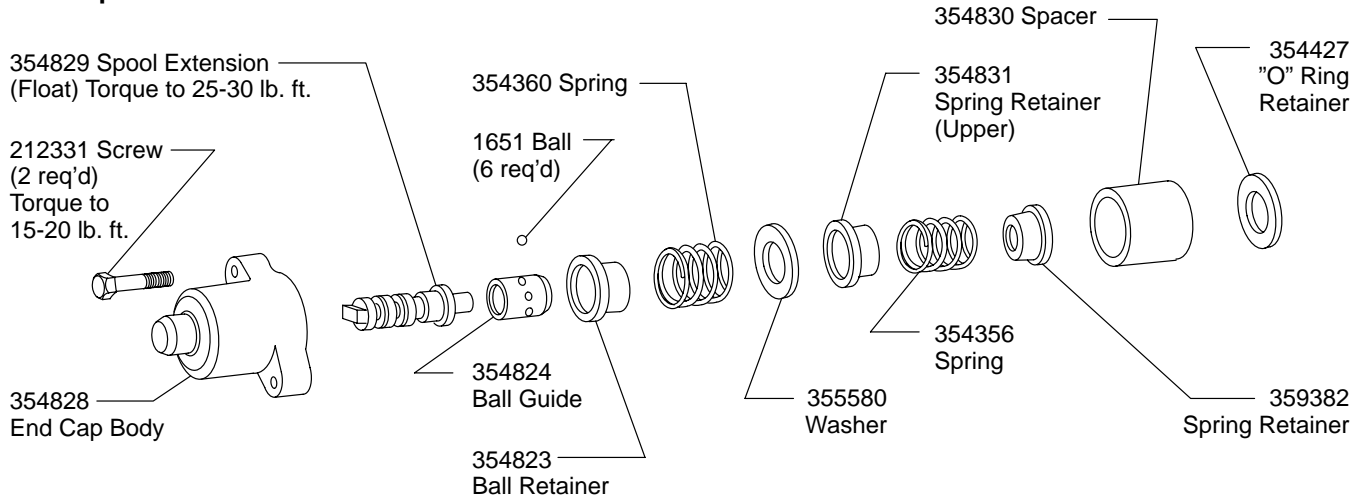


Directional Valves

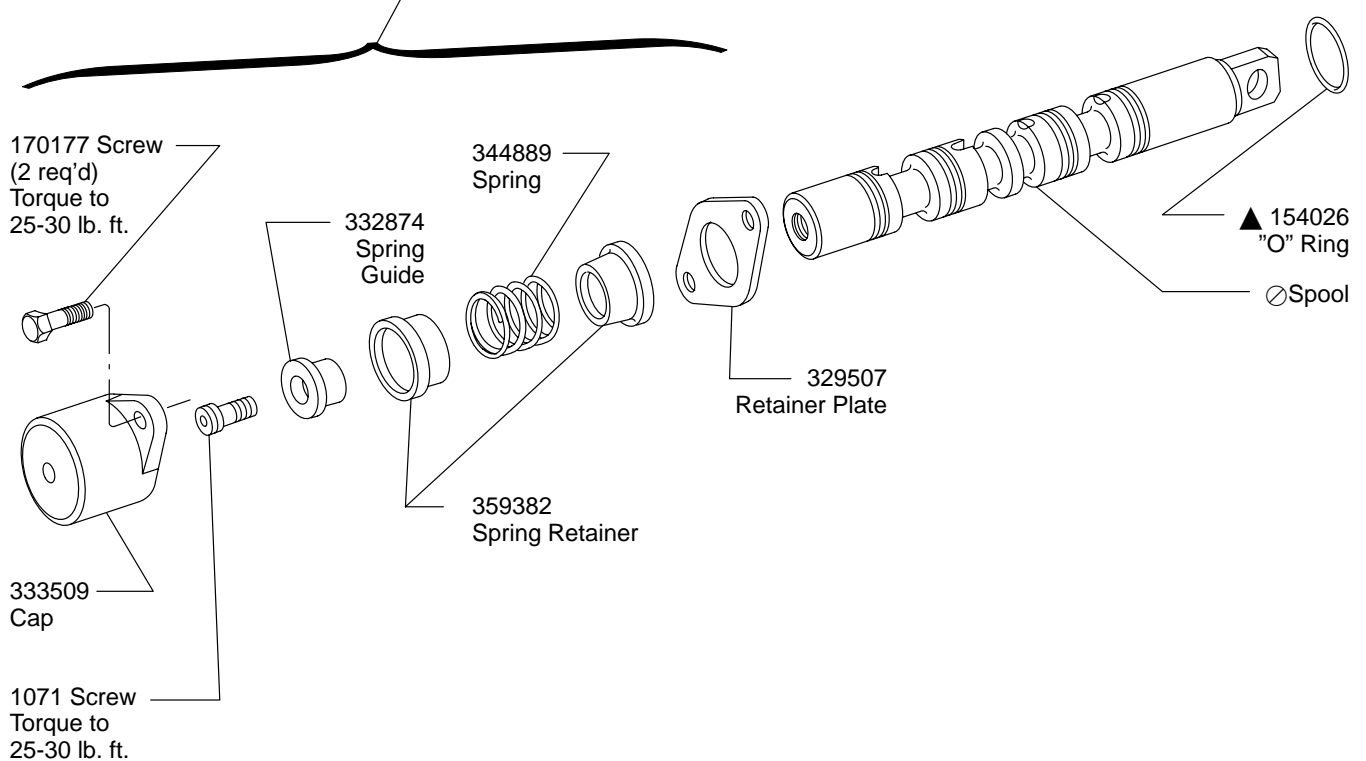
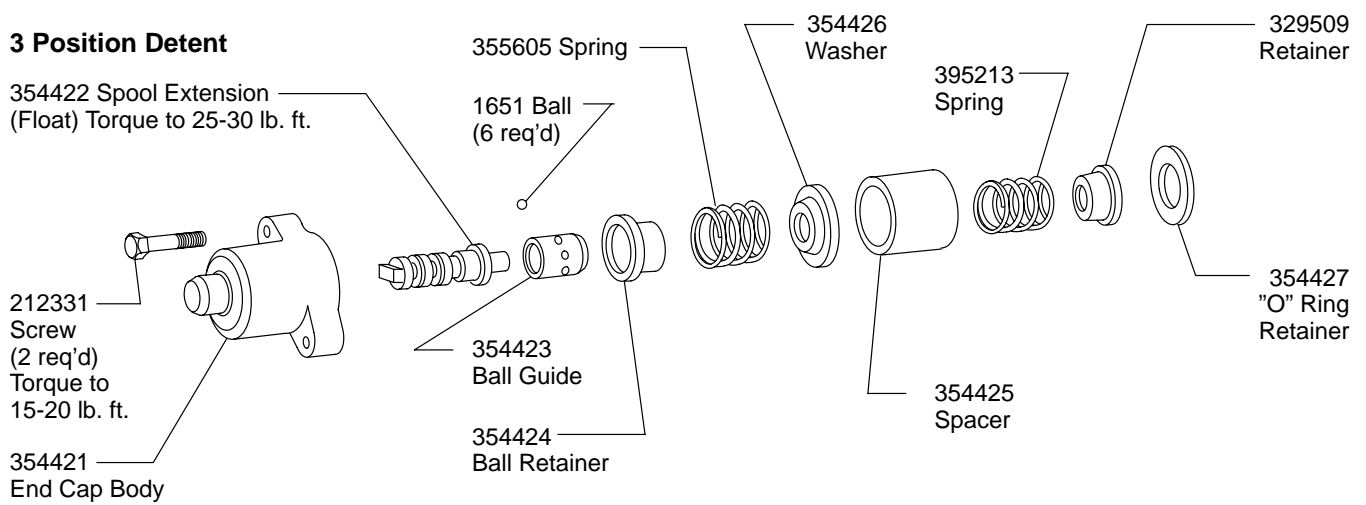
CMD90 Series -10 Design



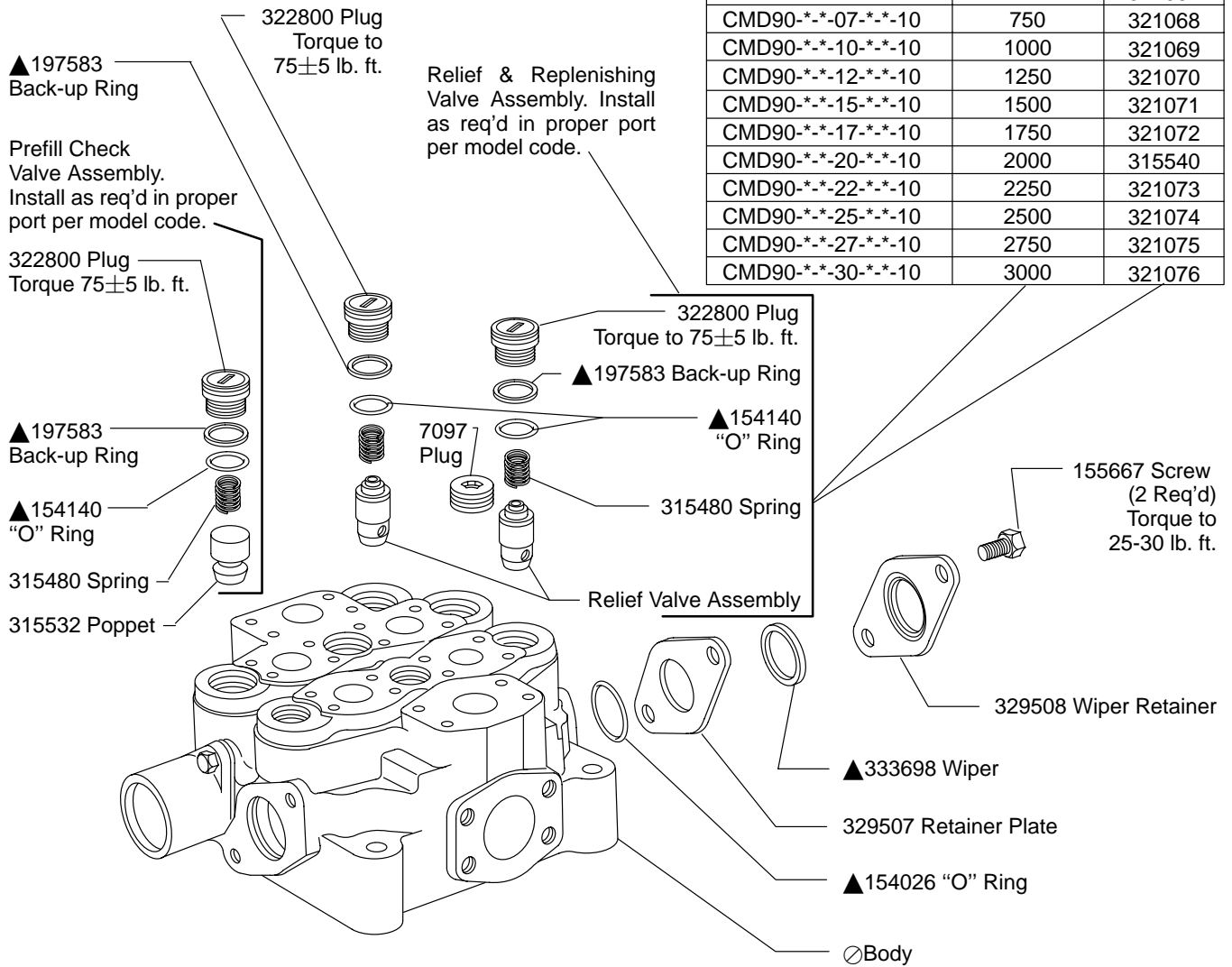
Float Spool Detent



3 Position Detent

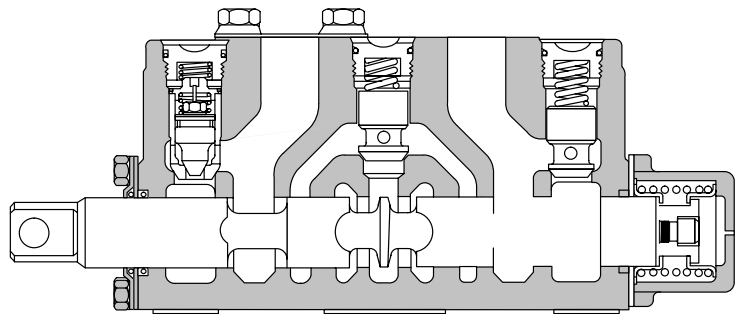


Model Designation	Relief Setting (PSI)	Relief Valve S/A
CMD90-**-05-**-10	500	321067
CMD90-**-07-**-10	750	321068
CMD90-**-10-**-10	1000	321069
CMD90-**-12-**-10	1250	321070
CMD90-**-15-**-10	1500	321071
CMD90-**-17-**-10	1750	321072
CMD90-**-20-**-10	2000	315540
CMD90-**-22-**-10	2250	321073
CMD90-**-25-**-10	2500	321074
CMD90-**-27-**-10	2750	321075
CMD90-**-30-**-10	3000	321076



∅Body & Spool not sold separately. Order complete unit.

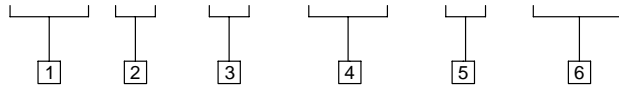
▲Included in Seal Kit 923421



Assembly View

Model Code

CMD 90 - 30 - DDD - 10 - *****



1 Model Series

CMD - Mobil Directional Control

2 Valve Series

(Nominal Capacity - USgpm)

90 - 90 USgpm

3 Integral Relief Valve Settings

(Available in Increments of 250 PSI
from 750-3000 PSI)

07-750 PSI **20**-2000 PSI
10-1000 PSI **22**-2250 PSI
12-1250 PSI **25**-2500 PSI
15-1500 PSI **27**-2750 PSI
17-1750 PSI **30**-3000 PSI

4 Spool Sections

D - Double acting
T - Single acting
W - Reverse single acting
B - Double acting motor spool
C - Float spool - 4 position
S - Series, double acting
F - Truck spool - 4 position
G - Regenerative float
R - Regenerative, double acting
4 position

5 Design

6 Assembly Number

For satisfactory service life of these components in industrial applications, use full flow filtration to provide fluid which meets ISO cleanliness code 20/18/15 or cleaner. Selections from Eaton OFF, OFR, and OFRS series are recommended.