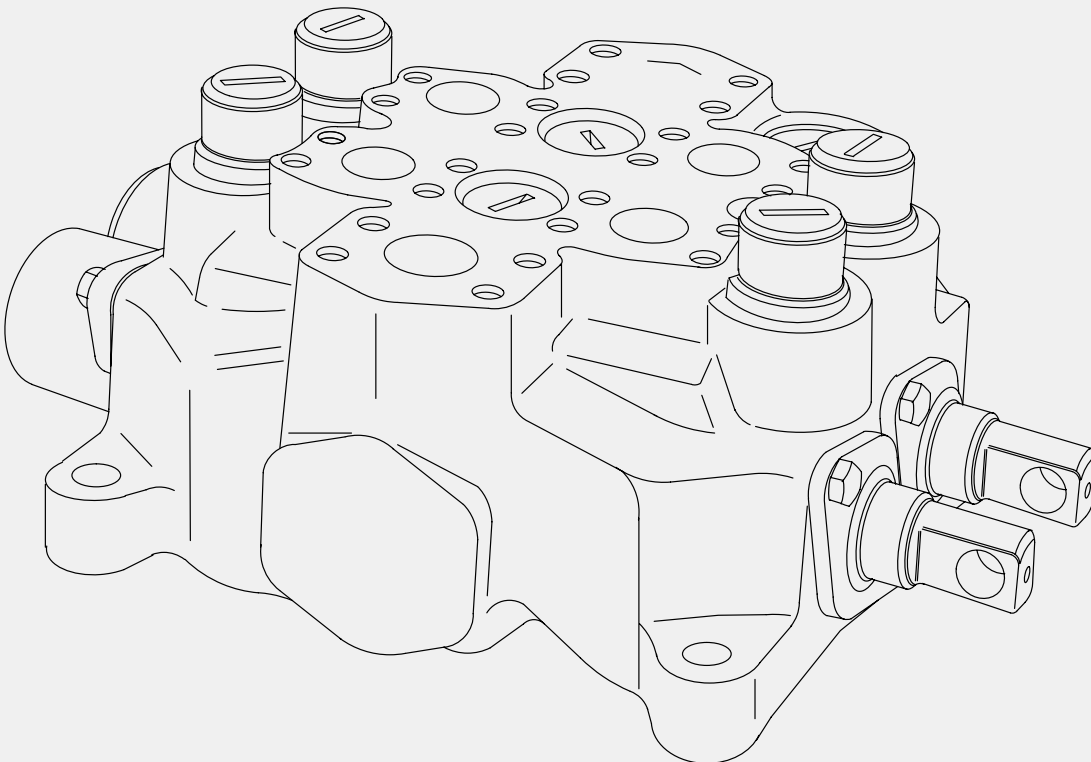




## Directional Valve

CMD60-\*\*-\*\*\*-10

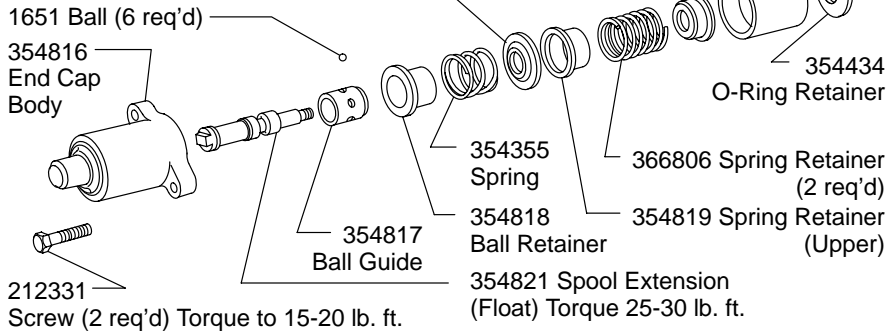




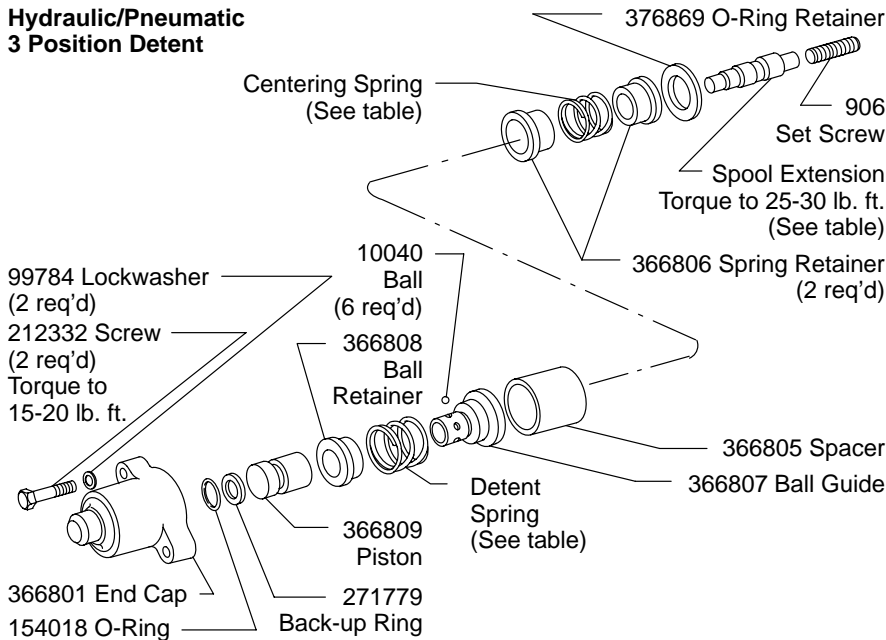
**WARNING**

Use this drawing for parts information only. See Overhaul Manual M-2420-S for maintenance information.

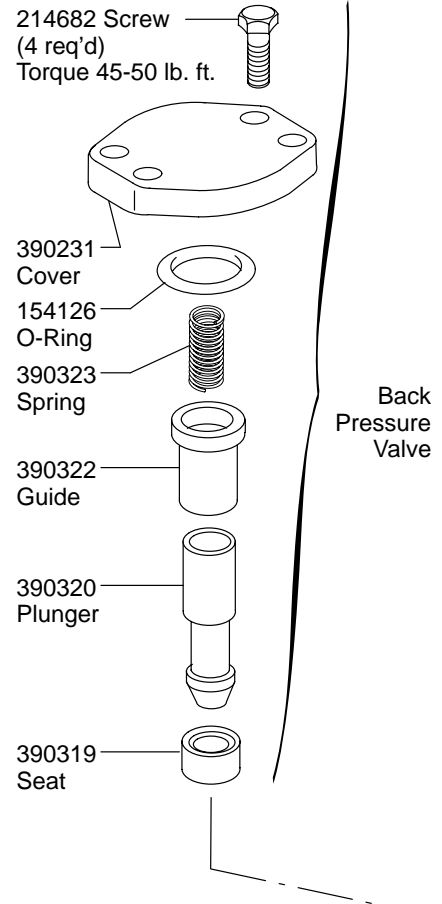
**Float Spool Detent**



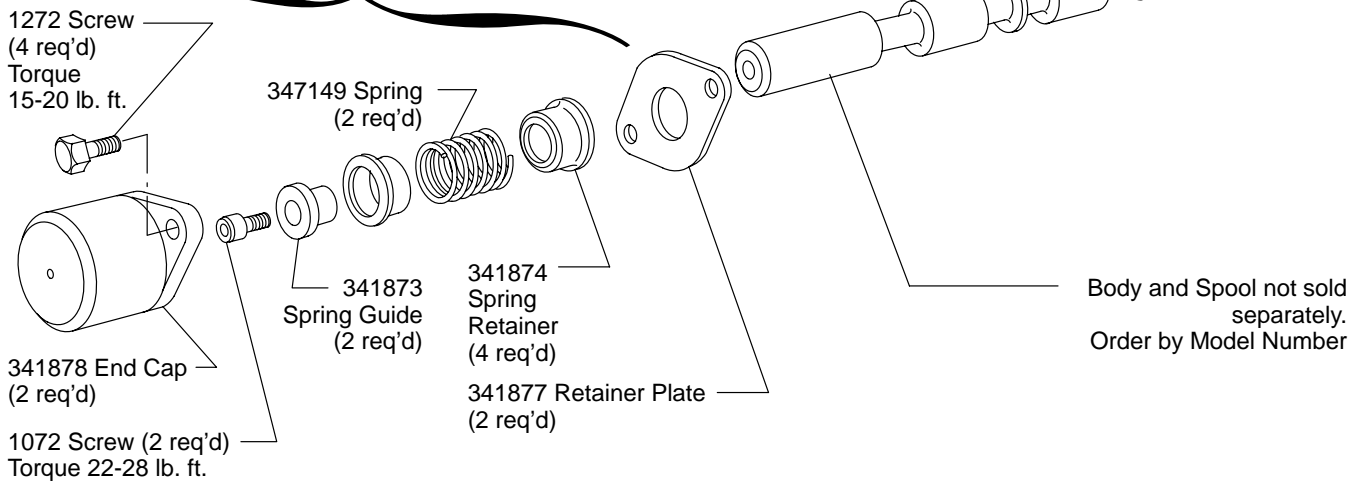
**Hydraulic/Pneumatic 3 Position Detent**



Detent Position	Spool Extension	Centering Spring Rate	Centering Spring	Detent Spring
In & Out	366804	Full	366760	366816
Out	393922	Three Qtr.	376430	376433
In & Out	407417	One Half	376431	376434
In	409576	One Qtr.	376432	376435

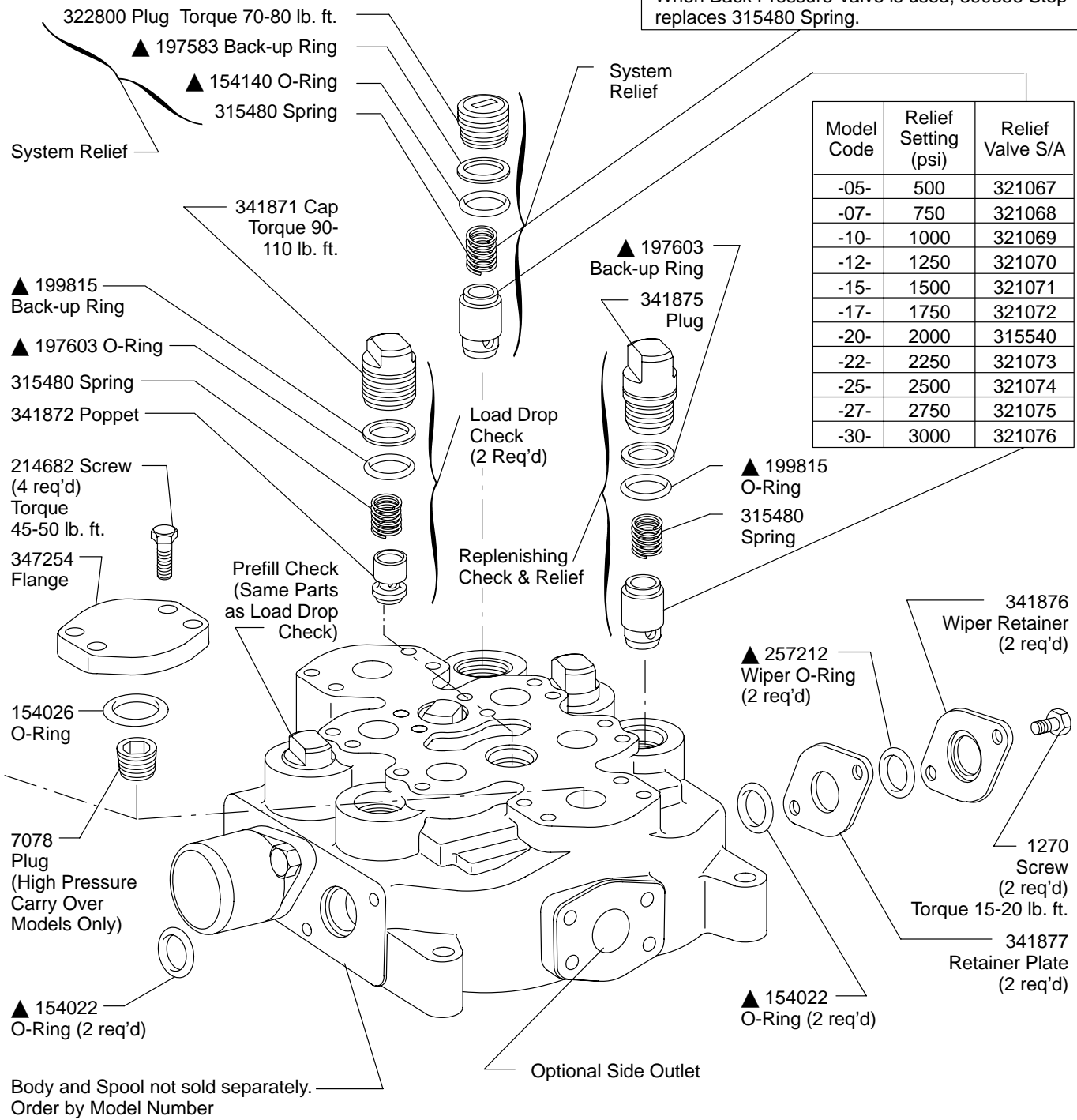


Back Pressure Valve



Body and Spool not sold separately. Order by Model Number

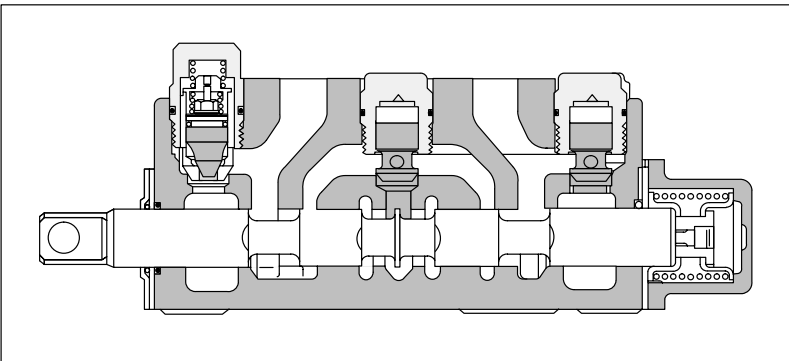
**Note**  
When Back Pressure Valve is used, 390356 Stop replaces 315480 Spring.



Model Code	Relief Setting (psi)	Relief Valve S/A
-05-	500	321067
-07-	750	321068
-10-	1000	321069
-12-	1250	321070
-15-	1500	321071
-17-	1750	321072
-20-	2000	315540
-22-	2250	321073
-25-	2500	321074
-27-	2750	321075
-30-	3000	321076

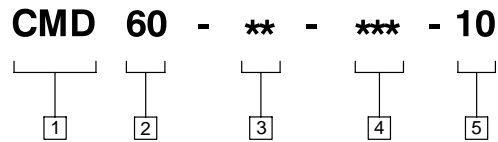
Body and Spool not sold separately.  
Order by Model Number

▲ Included in Seal Kit 923420



# Model Code

---



**1 Model Series**

**CMD** - Mobile directional control

---

**2 Valve Series**

Normal capacity  
**60** - 60 USgpm

---

**3 Integral Relief Valve Setting**

(Available in increments of 250 psi  
from 750-3000 psi)

<b>07</b> - 750 psi	<b>20</b> - 2000 psi
<b>10</b> - 1000 psi	<b>22</b> - 2250 psi
<b>12</b> - 1250 psi	<b>25</b> - 2500 psi
<b>15</b> - 1500 psi	<b>27</b> - 2750 psi
<b>17</b> - 1750 psi	<b>30</b> - 3000 psi

**4 Spool Sections**

**B** - Double acting motor spool  
**C** - Float spool - 4 position  
**D** - Double acting  
**F** - Truck spool - 4 position  
**G** - Regenerative Float  
**T** - Single acting  
**S** - Series - double acting  
**W** - Reverse single acting

**5 Design**

**Note**

CMD Valves offer so many options that all variations cannot be shown in the above Model Code. The Model Code depicts only options common to the Valve Series.

---

For satisfactory service life of these components use full flow filtration to provide fluid which meets ISO cleanliness code 20/18/15 or cleaner. Selections from Eaton OFF, OFR, and OFRS series are recommended.