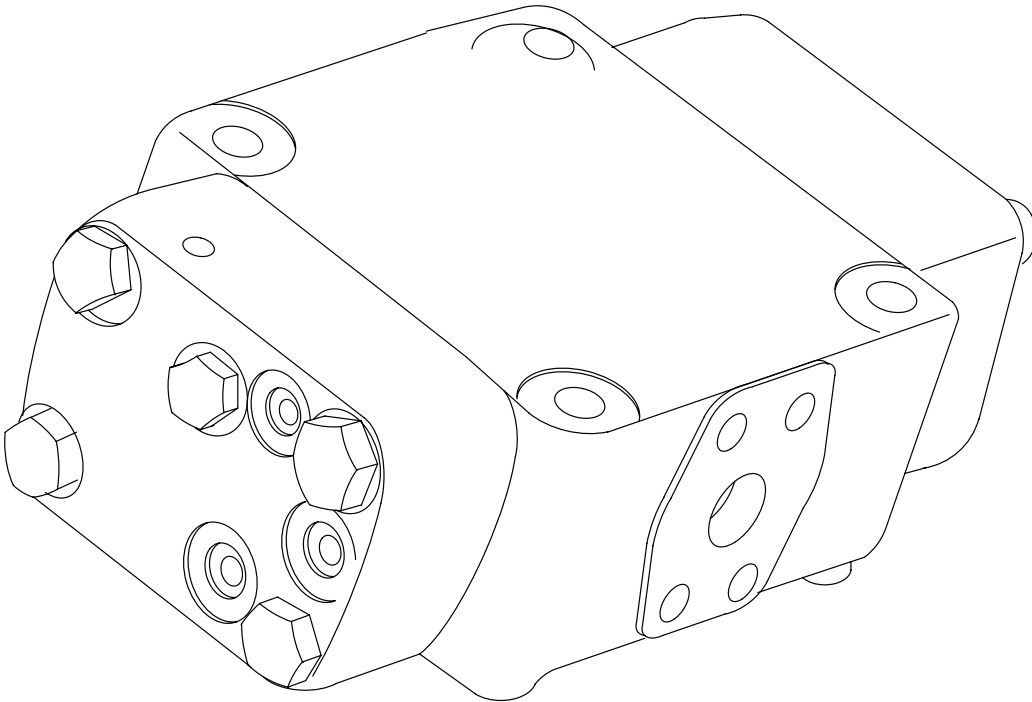


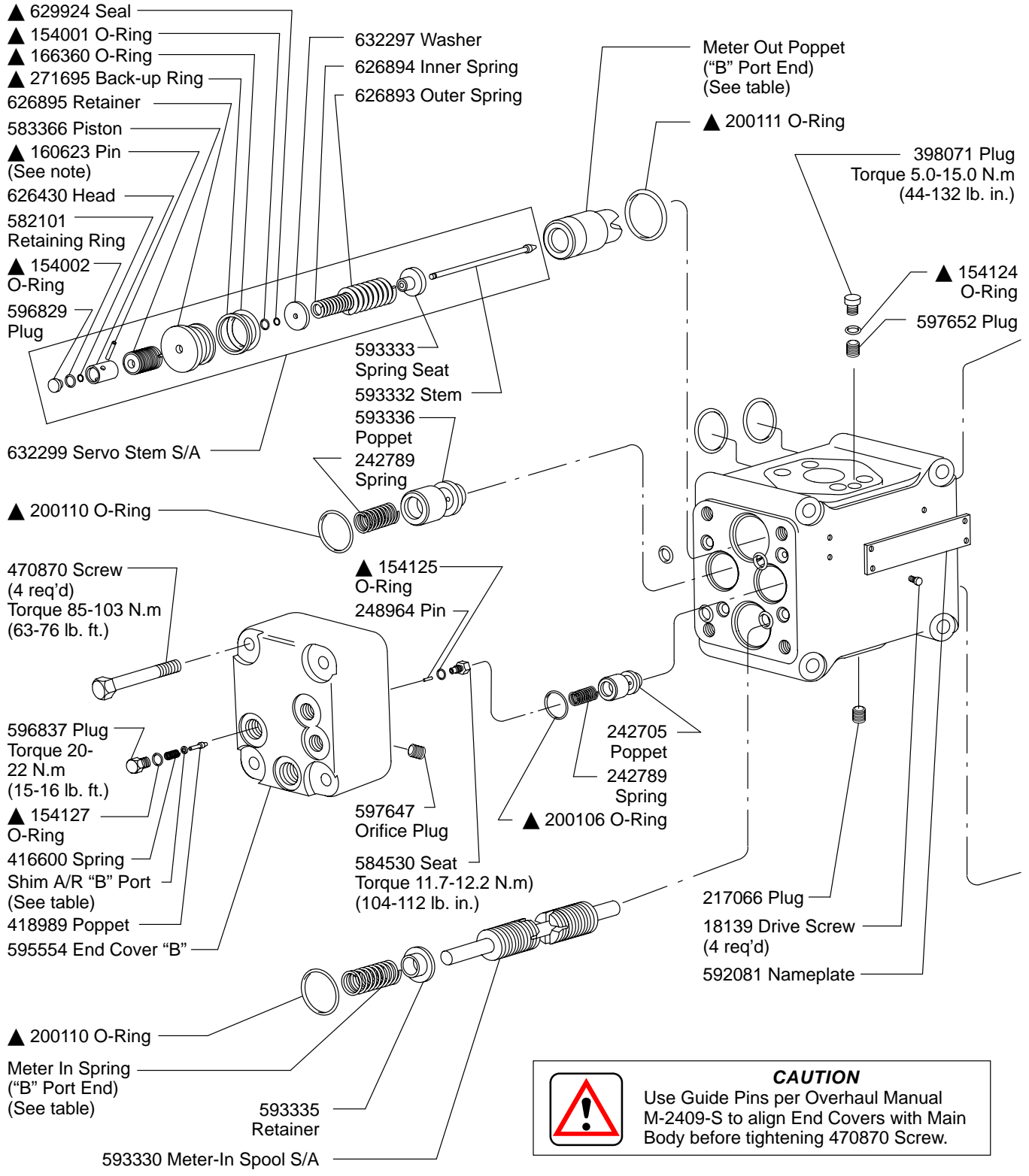
Directional Controls




Power Match™ Directional Valve with Load Sensing & Pressure Compensation

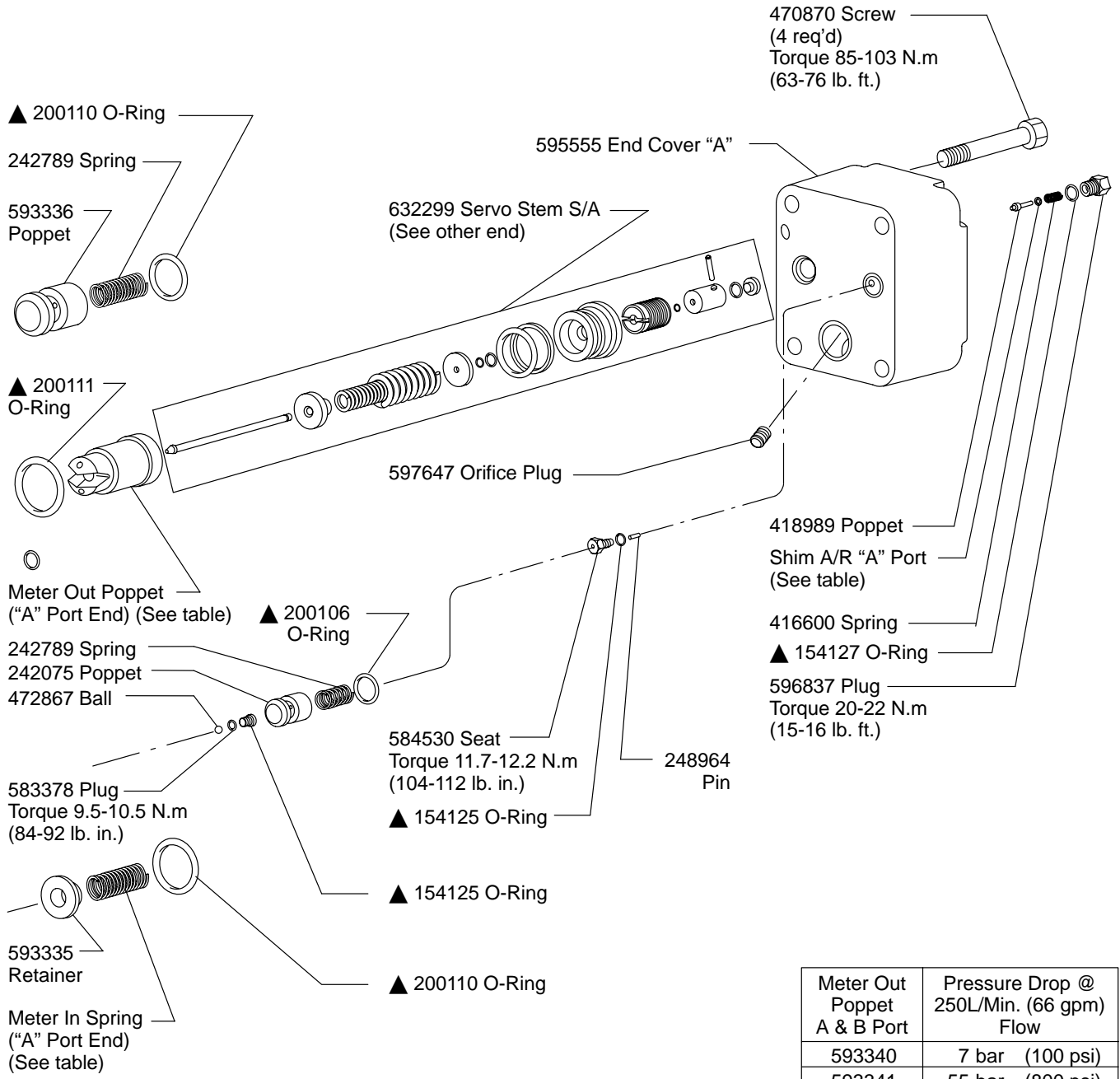
CMX160-*S-A****-B****-10






CAUTION
 Use Guide Pins per Overhaul Manual M-2409-S to align End Covers with Main Body before tightening 470870 Screw.

* **Note**
 Press Pin flush after assembly of 485829 Plug



Meter Out Poppet A & B Port	Pressure Drop @ 250L/Min. (66 gpm) Flow
593340	7 bar (100 psi)
593341	55 bar (800 psi)

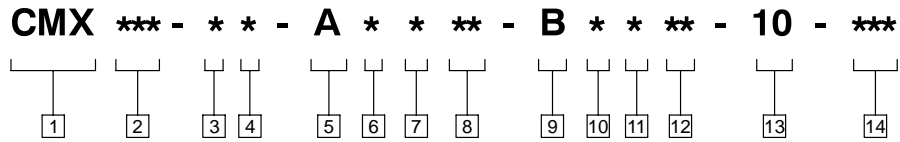
Meter-In Spring		
Spring	Port	Cracking Pressure
593349	A and/or B	5 bar (75 psi)
593348	A and/or B	10 bar (150 psi)

Shims - Cylinder Relief			
Thickness		Shim Kit	Δ P/Shim (approx.)
mm	inch		
0.05	.002	926284	3.8 bar (55 psi)
0.25	.010		19.0 bar (275 psi)
0.45	.018		34.2 bar (496 psi)
0.70	.028		53.2 bar (771 psi)

▲ Included in Seal Kit 920273

◆ Not available as a service part

Model Code



1 Model Series

CMX - Directional valve, load sensing, pressure compensated

2 Valve Series

Nominal flow capacity
160 - 160 L/Min. (42 GPM)

3 Mounting Type

1 - Actuator

4 Control Type

S - Standard

5 Port Identification

"A" Port

6 Meter Out Element (Flow direction 'A' - 'T' port)

1 - 7 bar (100 psi)
8 - 56 bar (800 psi)
0 - None

7 Meter in Cracking Pressure (Flow direction 'P' - 'A' port)

A - 5 bar (75 psi)
B - 10 bar (150 psi)

8 Port Relief (Flow direction 'A' - 'T' port)

00 - None
14 - 140 bar (2030 psi)
15 - 150 bar (2175 psi)
16 - 160 bar (2320 psi)
17 - 170 bar (2465 psi)
18 - 180 bar (2610 psi)
19 - 190 bar (2755 psi)
20 - 200 bar (2900 psi)
21 - 210 bar (3045 psi)
23 - 230 bar (3335 psi)
24 - 240 bar (3480 psi)

8 Port Relief (Flow direction 'A' - 'T' port) (Con't)

27 - 270 bar (3915 psi)
31 - 310 bar (4495 psi)
34 - 340 bar (4930 psi)
36 - 360 bar (5220 psi)
37 - 370 bar (5365 psi)
38 - 380 bar (5510 psi)
39 - 390 bar (5655 psi)
40 - 400 bar (5800 psi)
41 - 410 bar (5945 psi)

9 Port Identification

"B" Port

10 Meter Out Element (Flow direction 'B' - 'T' port)

1 - 7 bar (100 psi)
8 - 56 bar (800 psi)
0 - None

11 Meter in Cracking Pressure (Flow direction 'P' - 'B' port)

A - 5 bar (75 psi)
B - 10 bar (150 psi)

12 Port Relief (Flow direction 'B' - 'T' port)

00 - None
14 - 140 bar (2030 psi)
15 - 150 bar (2175 psi)
16 - 160 bar (2320 psi)
17 - 170 bar (2465 psi)
18 - 180 bar (2610 psi)
19 - 190 bar (2755 psi)
20 - 200 bar (2900 psi)
21 - 210 bar (3045 psi)
23 - 230 bar (3335 psi)
24 - 240 bar (3480 psi)

12 Port Relief (Flow direction 'B' - 'T' port) (Con't)

27 - 270 bar (3915 psi)
31 - 310 bar (4495 psi)
34 - 340 bar (4030 psi)
36 - 360 bar (5220 psi)
37 - 370 bar (5365 psi)
38 - 380 bar (5510 psi)
39 - 390 bar (5655 psi)
40 - 400 bar (5800 psi)
41 - 410 bar (5945 psi)

14 thru 41 consecutive numbers 140 bar thru 410 bar in increments of 10 bar i.e. 2030 psi thru 5945 psi in increments of 145 psi.

13 Design

14 Special Modification Suffix

For satisfactory service life of these components use full flow filtration to provide fluid which meets ISO cleanliness code 20/18/15 or cleaner. Selections from Eaton OFP, OFR, and OFRS series are recommended.