



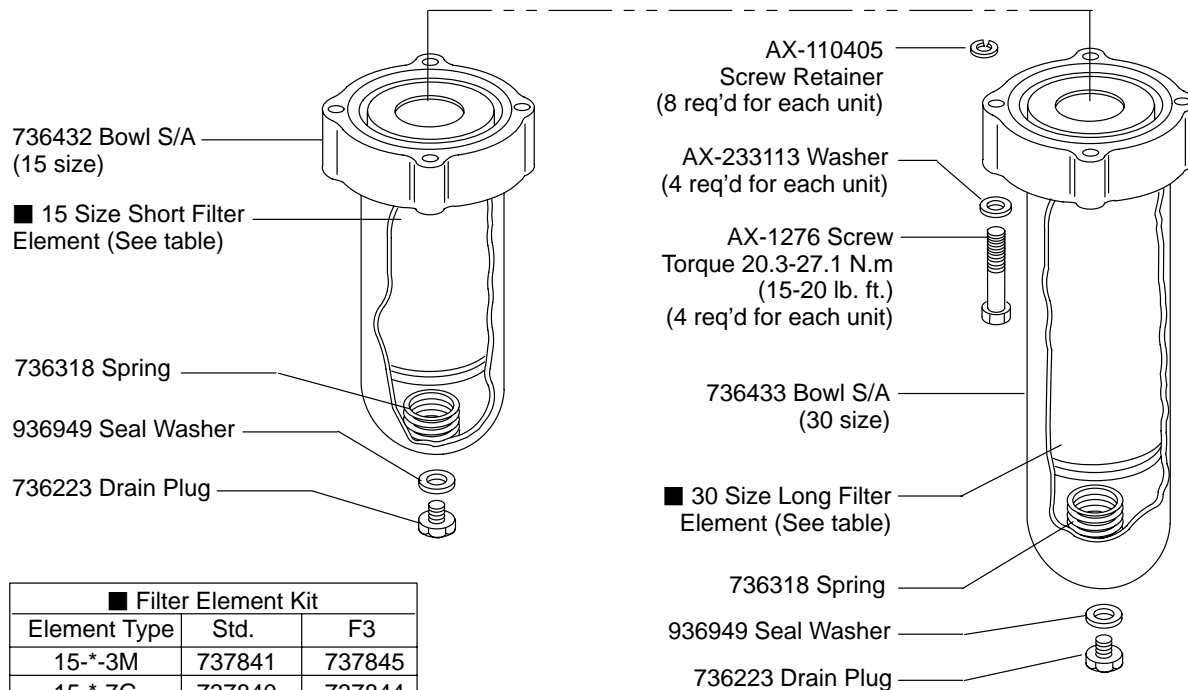
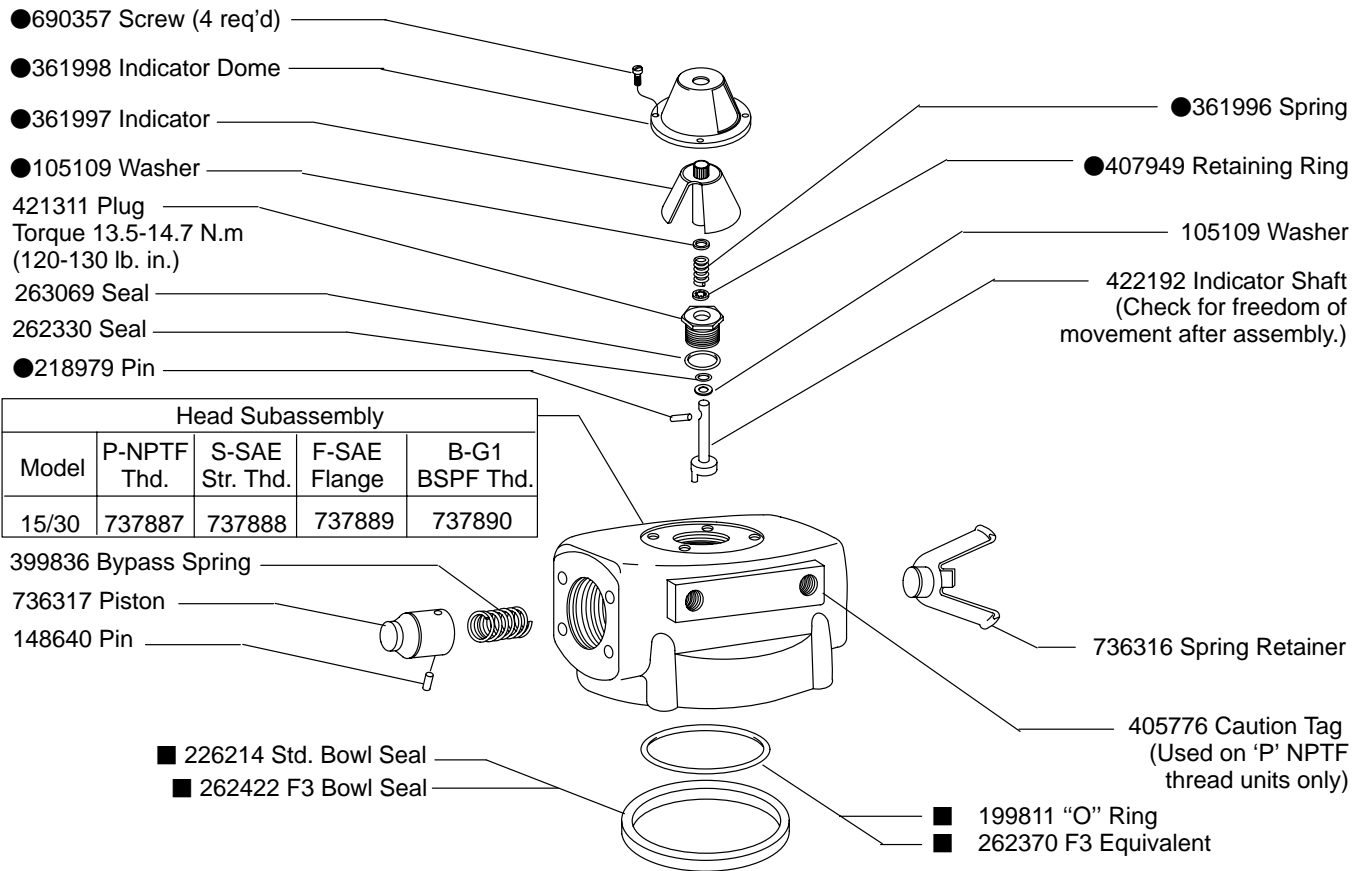
Large Return Line Filter

(F3)-OFR-15-*-(*)-(*)-30

(F3)-OFR-60-*-(*)-(*)-(*)-30

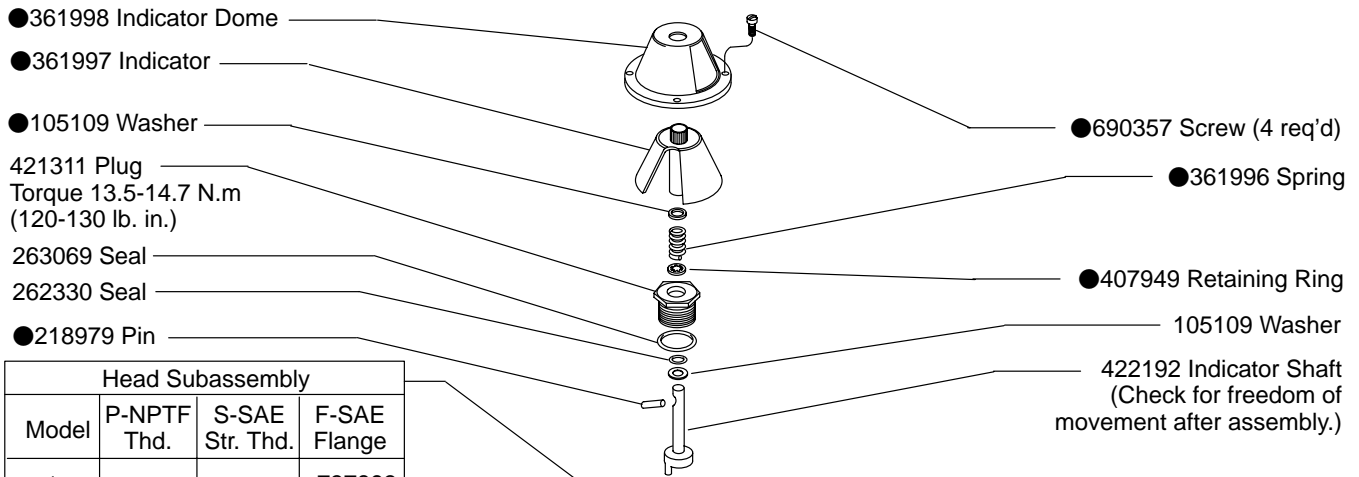
(F3)-OFR-30-*-(*)-(*)-30

(F3)-OFR-120-*-(*)-(*)-(*)-30

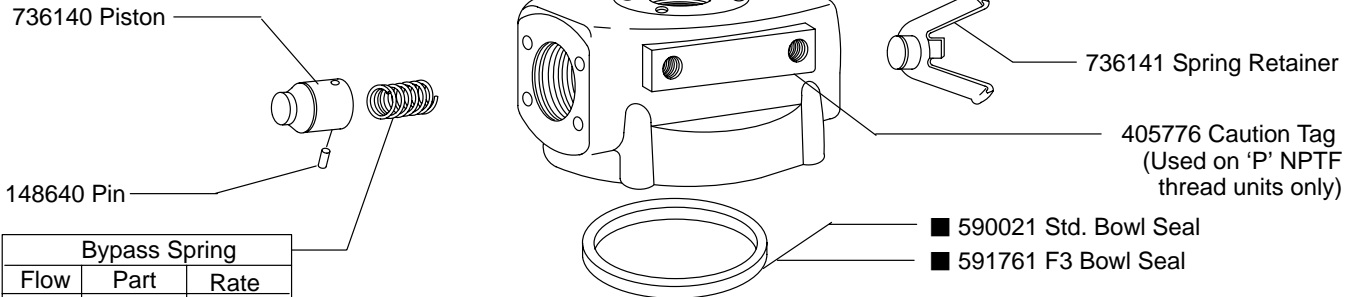


■ Filter Element Kit

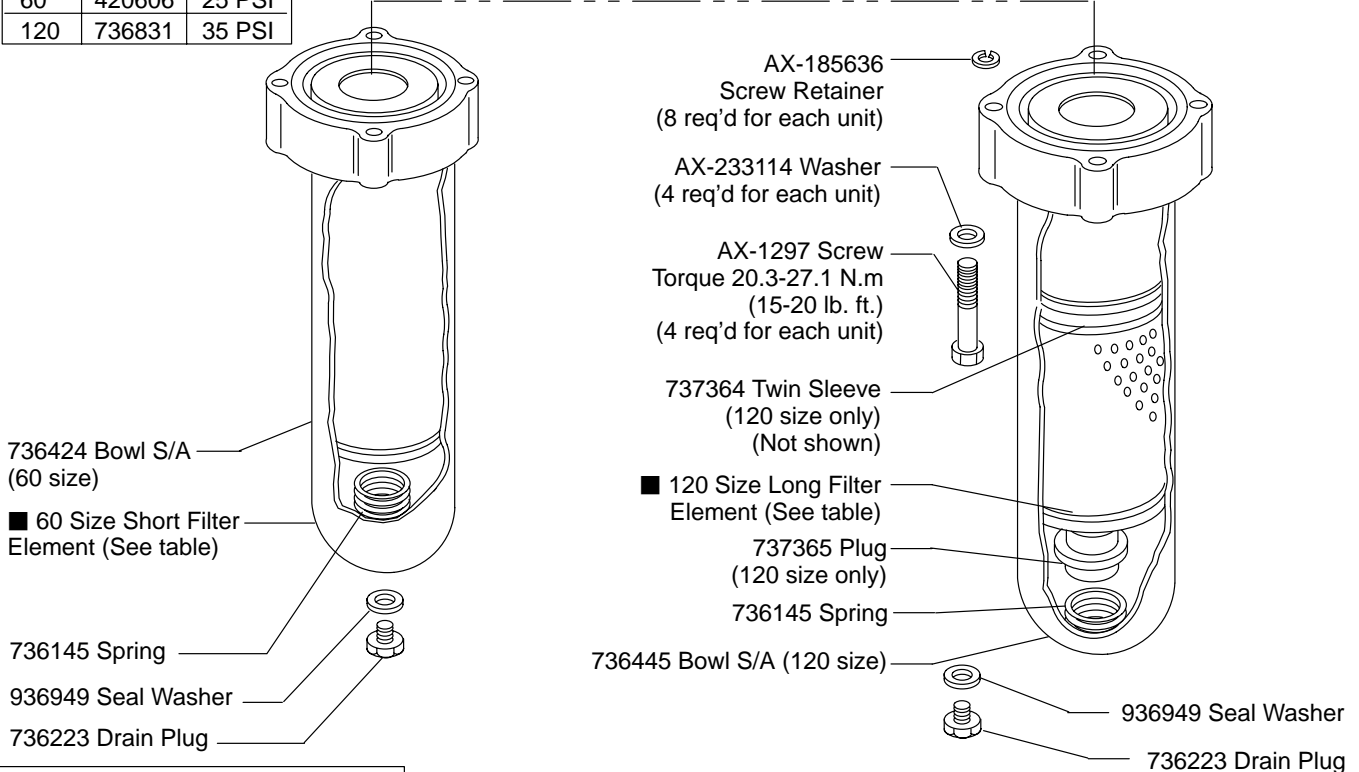
Element Type	Std.	F3
15-*-3M	737841	737845
15-*-7G	737840	737844
15-*-7M	737839	737843
15-*-10	737838	737842
30-*-3M	737849	737853
30-*-7G	737848	737852
30-*-7M	737847	737851
30-*-10	737846	737850



Head Subassembly			
Model	P-NPTF Thd.	S-SAE Str. Thd.	F-SAE Flange
60/120	737891	737892	737893



Bypass Spring		
Flow	Part	Rate
60	420606	25 PSI
120	736831	35 PSI



■ Filter Element Kit		
Element Type	Std.	F3
60-*-3M	737825	737829
60-*-7G	737824	737828
60-*-7M	737823	737827
60-*-10	737822	737826
60-*-3M	737833	737837
60-*-7G	737832	737836
60-*-7M	737831	737835
60-*-10	737830	737834

Note
 -30 design units are not interchangeable with any previous designs.

Note
 Units are manufactured with F3 seals, except the bowl seal, which is nitrile (standard).

■ Included in Element Kit

● Included in Mechanical Indicator Kit 941003. See back page for electrical indicator parts.

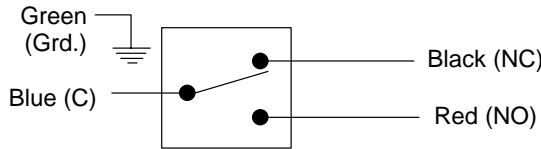
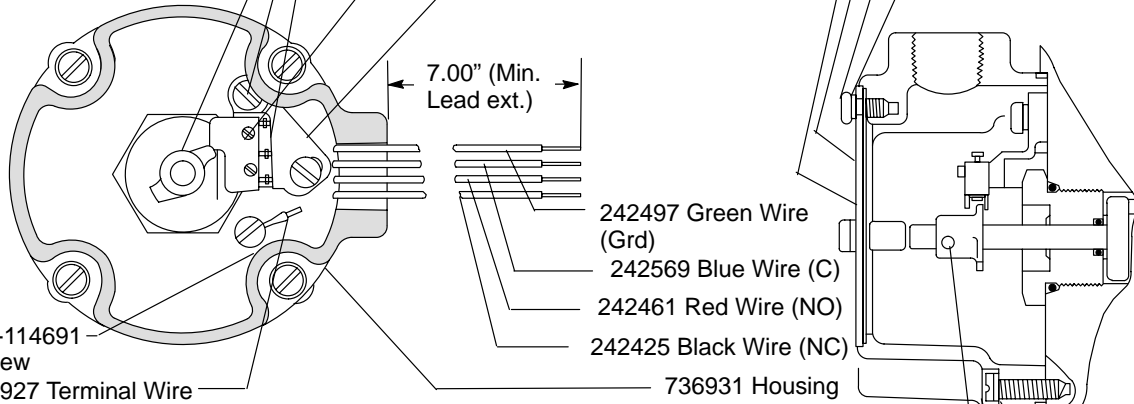
Electrical Indicator Parts Kit 926586

416164 Limit Switch
690356 Screw (2 req'd)
736918 Actuator Switch

AX-114691 Screw
345927 Terminal Wire

AX-231801 Screw (2 req'd)
AX-99776 Washer (2 req'd)
AX-1435 Nut (2 req'd)
736919 Switch Bracket

736929 Gasket
736930 Cover
690357 Screw (4 req'd)
AX-99780 Washer (4 req'd)



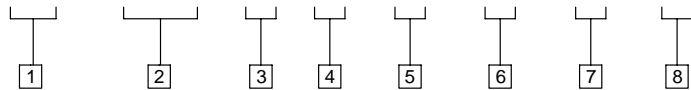
736708 Gasket
AX-99780 Washer (4 req'd)
287714 Screw (4 req'd)
148640 Pin

Note

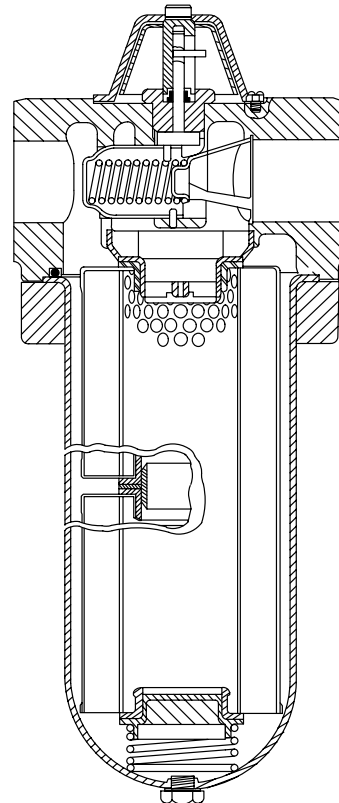
Adjust switch position so switch contacts make and break with bypass valve piston movement between seated and .12 inch open.

Model Code Breakdown

(F3) - OFR - * - * - (*) - (*) - (*) - 30



- | | |
|---|---|
| <p>1 Seal Material
F3 - Seals for mineral oil and fire resistant fluids</p> | <p>5 Nominal Filtration Rating
3M - 3 micrometre
7G - 7 micrometre (glass media)
7M - 7 micrometre
Blank - 10 micrometre</p> |
| <p>2 Model Series
OFR - Return line oil filter</p> | <p>6 Indicator Type
E - Electrical indicator
Blank - Mechanical indicator</p> |
| <p>3 Flow Rating (USgpm)
15 (Short) - 15 USgpm
30 (Long) - 30 USgpm
60 (Short) - 60 USgpm
120 (Long) - 120 USgpm</p> | <p>7 Bypass Pressure Setting
35 - 35 psi
Blank - 25 psi</p> |
| <p>4 Port Connections
B - G1 (BSPF) thread (15 & 30 USgpm only)
F - SAE flange
P - NPTF thread
S - SAE straight thread</p> | <p>8 Design</p> |



**Sectional View
(OFR-120 Shown)** Printed in U.S.A.