



## Pressure Line Filters

(F3)-OFP-15-\*-\*-\*-10

(F3)-OFP-35-\*-\*-\*-10

- Included in Mechanical Indicator Kit 941003
- Omit on "L" Models

◆●218979 Pin

◆●105109 Washer

◆●407949 Retaining Ring

736589 Plug  
(Torque 71-78 lb. ft.)

Part Name	Part Number	
	OFP-15	OFP-35
Plug	329463	326976
"O" Ring	154129	154131
Spring	736436	736463
Spool	736590	736591
Bezel	736413	736470
*Seal	154018	154022
*Bowl "O" Ring	380648	200162
Bowl Spring	736438	736471
Bowl	736440	736447

Bezell (See table)  
(Torque 71-78 lb. ft.)

\*Seal (See table)

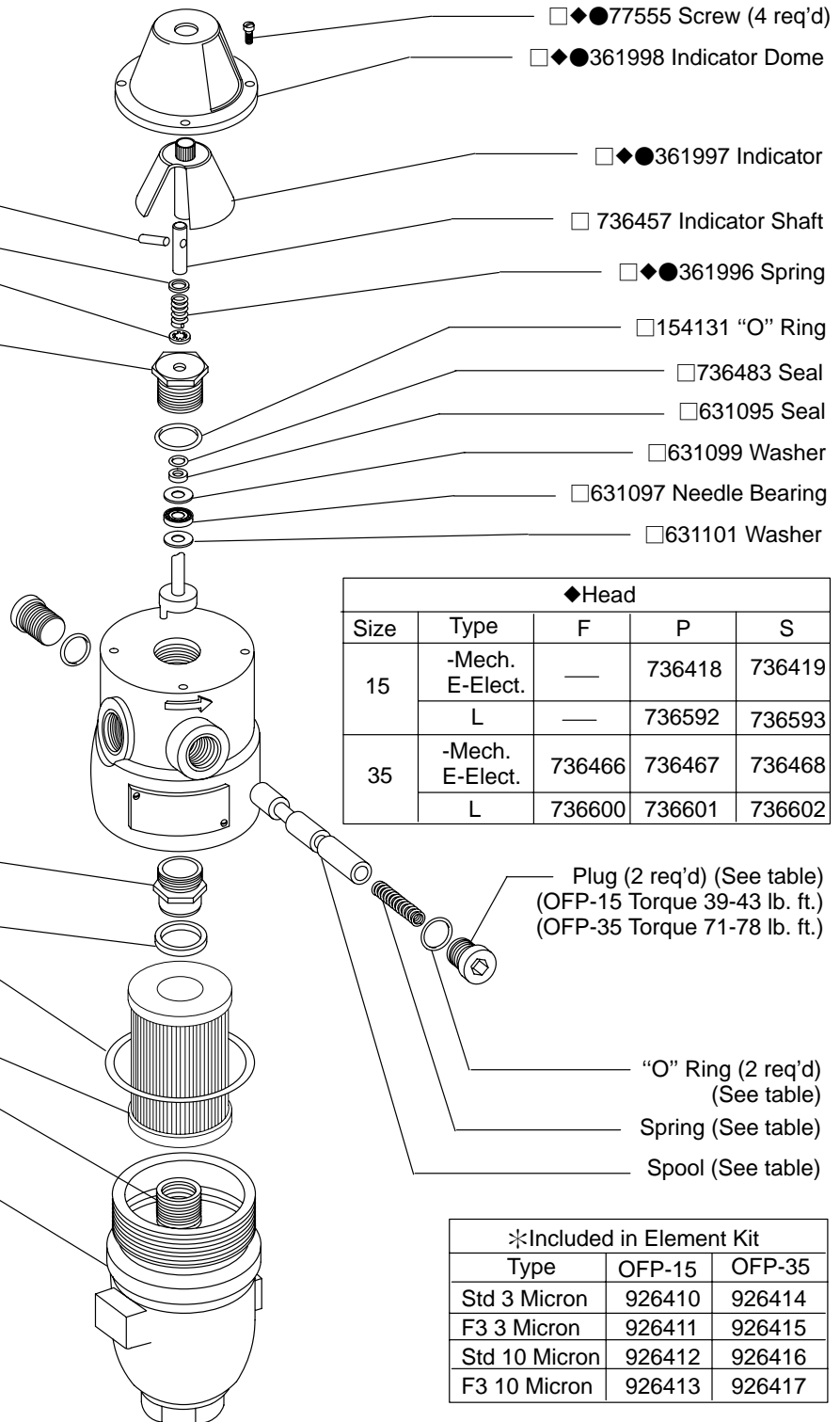
\*Bowl "O" Ring (See table)

\*Element (See table)

Bowl Spring (See table)

◆ Bowl (See table)  
(Torque 100-110 lb. ft.)

◆ Not available for sale as individual parts.



◆●77555 Screw (4 req'd)

◆●361998 Indicator Dome

◆●361997 Indicator

736457 Indicator Shaft

◆●361996 Spring

154131 "O" Ring

736483 Seal

631095 Seal

631099 Washer

631097 Needle Bearing

631101 Washer

◆Head				
Size	Type	F	P	S
15	-Mech. E-Elect.	—	736418	736419
	L	—	736592	736593
35	-Mech. E-Elect.	736466	736467	736468
	L	736600	736601	736602

Plug (2 req'd) (See table)  
(OFP-15 Torque 39-43 lb. ft.)  
(OFP-35 Torque 71-78 lb. ft.)

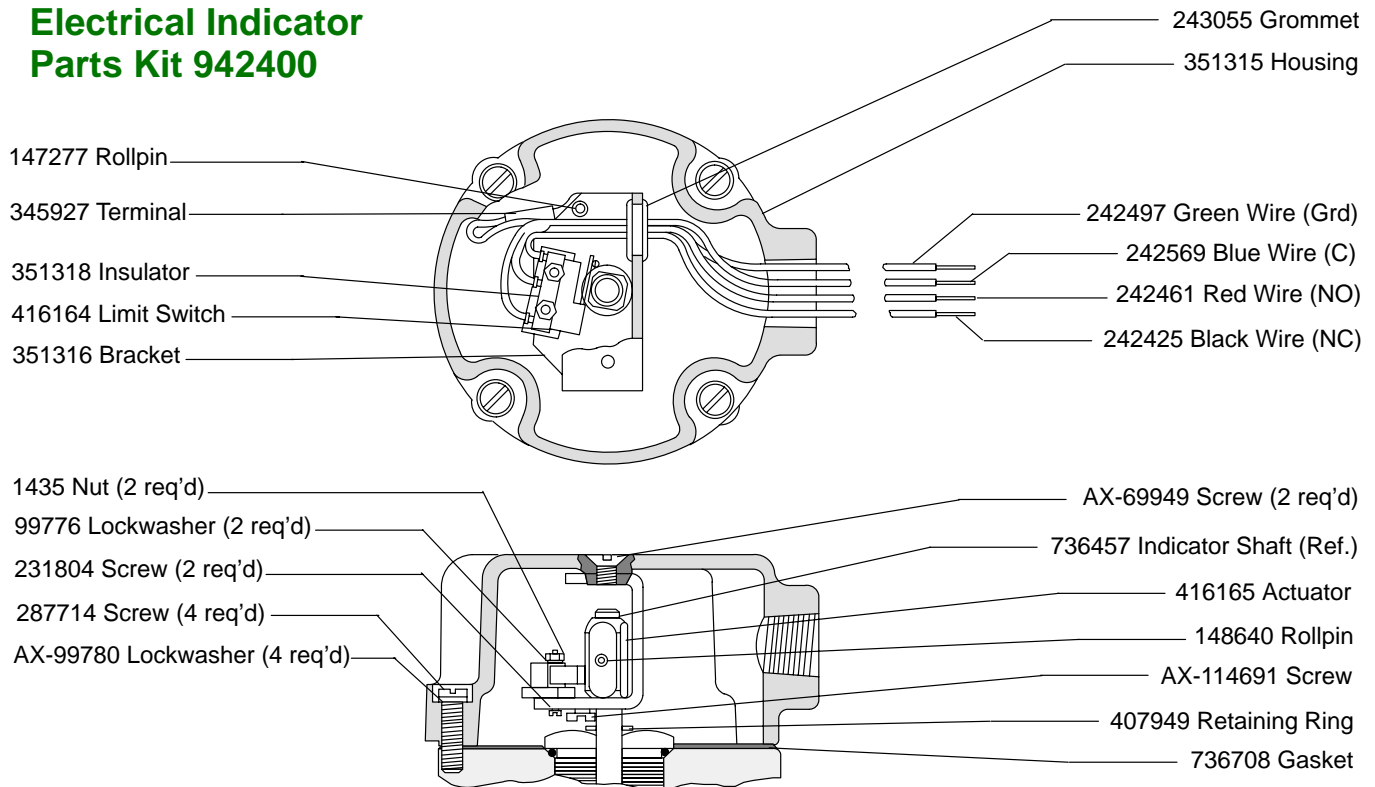
"O" Ring (2 req'd)  
(See table)

Spring (See table)

Spool (See table)

*Included in Element Kit		
Type	OFP-15	OFP-35
Std 3 Micron	926410	926414
F3 3 Micron	926411	926415
Std 10 Micron	926412	926416
F3 10 Micron	926413	926417

## Electrical Indicator Parts Kit 942400



## Model Code

**(F3) - OFF - \* - \* - \* - \* - \* - 10**

1      2      3      4      5      6      7      8

### 1 Seals

**F3** - Multi-fluid capability (Viton® seals)  
*Viton is a registered trademark of E.I. DuPont*

### 2 Model Series

**OFF** - Pressure line oil filter

### 3 Flow Rating (USgpm)

**15** - 15 USgpm  
**35** - 35 USgpm

### 4 Port Connections

**F** - SAE 4-bolt flange  
**P** - 1" NPTF  
**S** - SAE str. thd.

### 5 Nominal Filtration Rating

**3M** - 3 micron  
**Blank** - 10 micron

### 6 Bypass Setting

**Blank** - 40 psi standard

### 7 Indicator

**E** - Electrical  
**L** - Less indicator  
**Blank** - Mechanical

### 8 Design

For satisfactory service life of these components, use full flow filtration to provide fluid which meets ISO cleanliness code **20/18/15** or cleaner. Selections from Eaton OFF, OFR and OFRS filter series are recommended.

Printed in U.S.A.