

Flange Valves

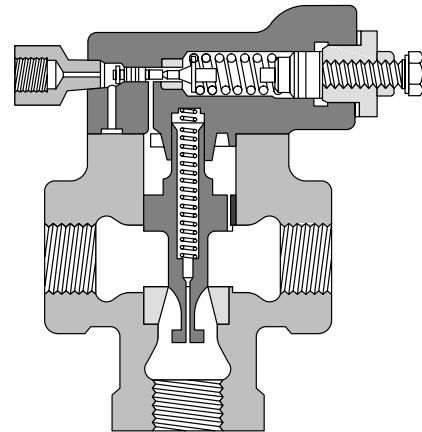


Unloading Relief Valves

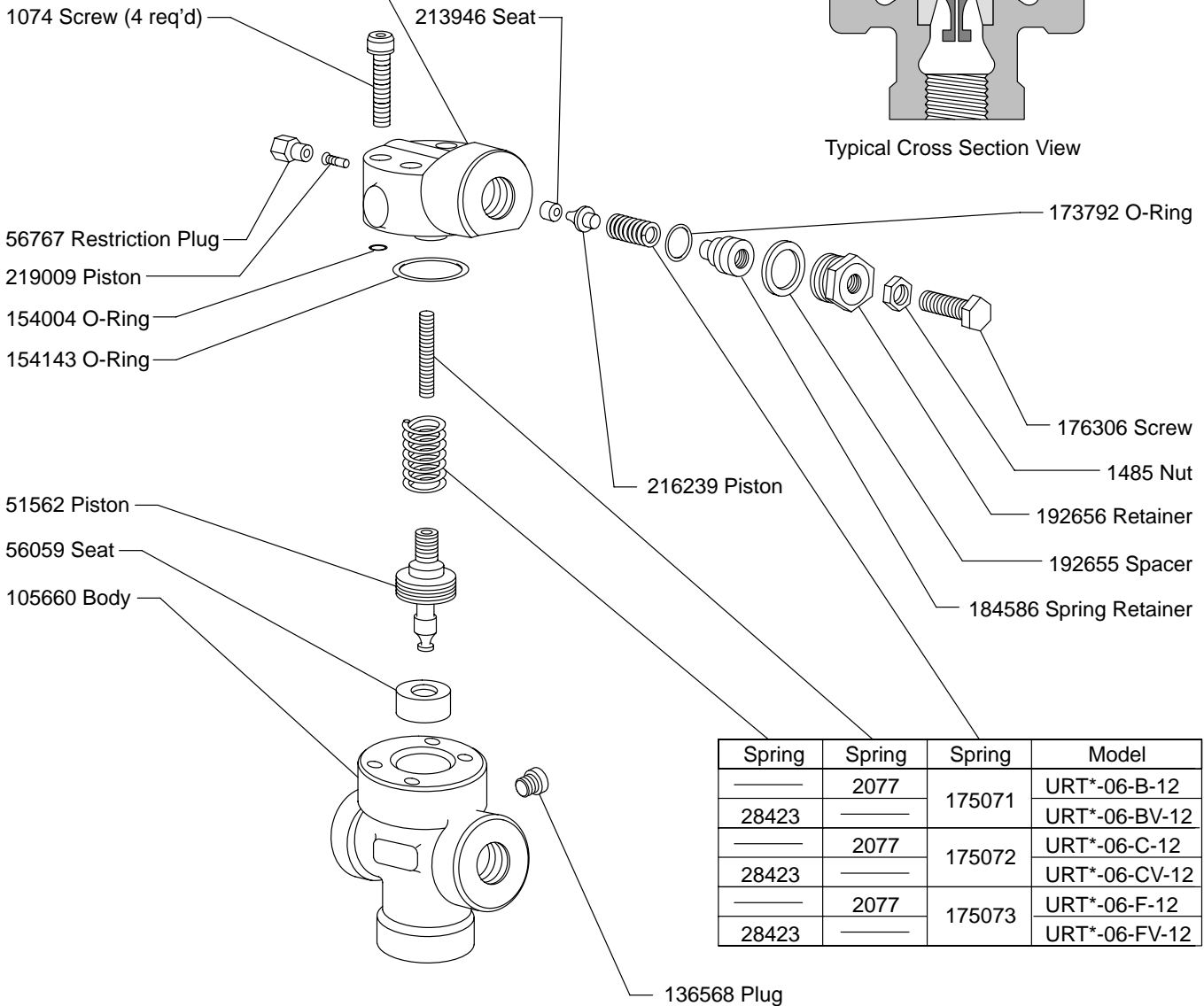
URT1-06-*-12

URT2-06-*-12

Model	Cover	
URT1-06-*-12	External Drain	258330
URT2-06-*-12	Internal Drain	176388 Sub-Assy. Includes: 274106 Cover 7075 Plug

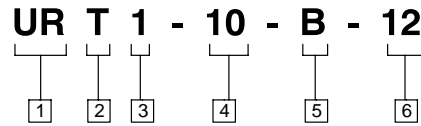


Typical Cross Section View



Spring	Spring	Spring	Model
—	2077	175071	URT*-06-B-12
28423	—	—	URT*-06-BV-12
—	2077	175072	URT*-06-C-12
28423	—	—	URT*-06-CV-12
—	2077	175073	URT*-06-F-12
28423	—	—	URT*-06-FV-12

Model Code



1 Unloading Relief Valve

2 Threaded Type

3 Drain

- 1 - External
- 2 - Internal

4 Port Size

- 06 - 3/4" NPT
- 10 - 1 1/4" NPT

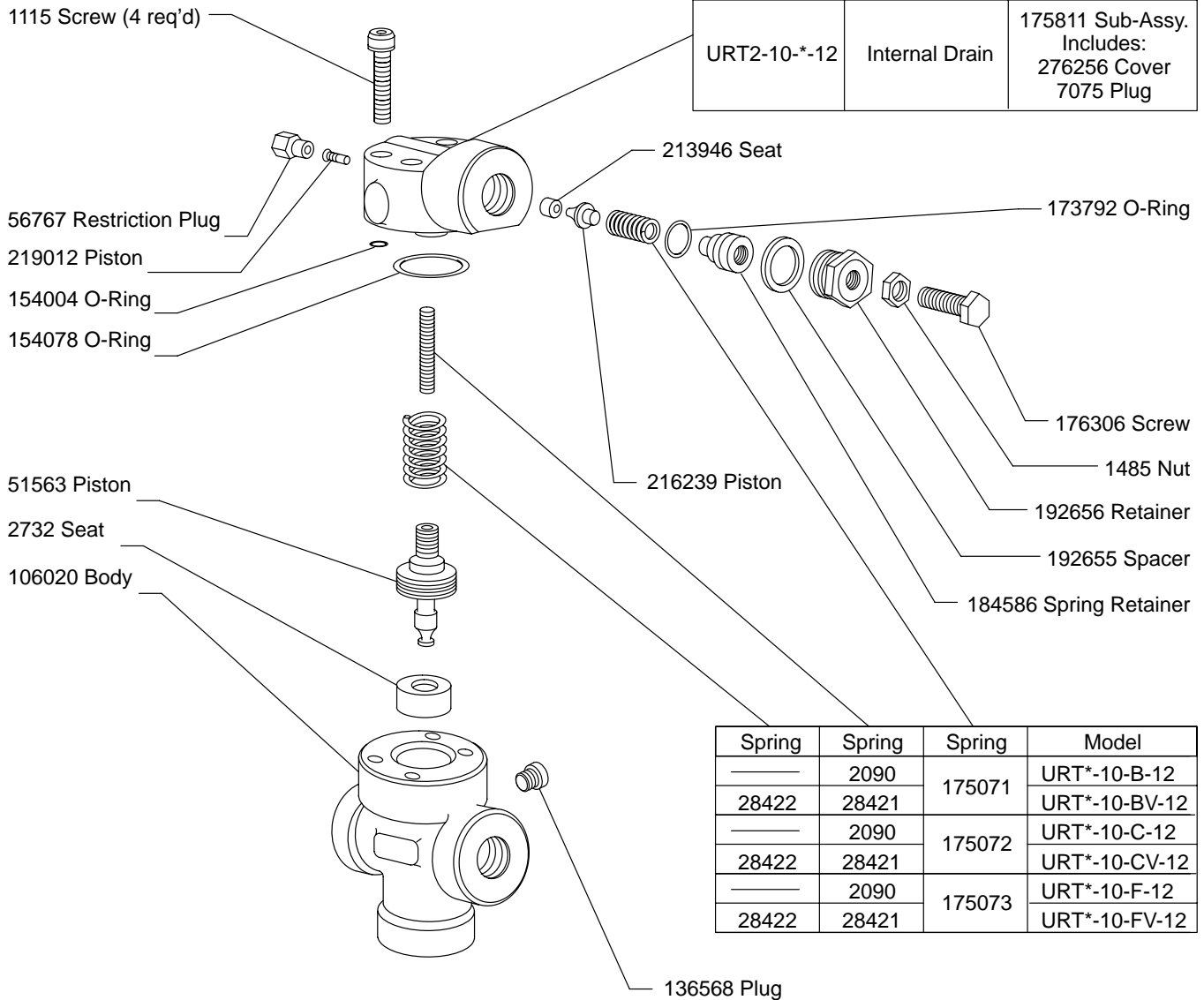
6 Design Number

5 Cut Out Pressure Ranges

- B - 350 to 1000 PSI
- C - 500 to 2000 PSI
- F - 1500 to 3000 PSI

URT1-10-*-12 URT2-10-*-12

Model	Cover	
URT1-10-*-12	External Drain	258339
URT2-10-*-12	Internal Drain	175811 Sub-Assy. Includes: 276256 Cover 7075 Plug



Spring	Spring	Spring	Model
—	2090	175071	URT*-10-B-12
28422	28421		URT*-10-BV-12
—	2090	175072	URT*-10-C-12
28422	28421		URT*-10-CV-12
—	2090	175073	URT*-10-F-12
28422	28421		URT*-10-FV-12