

Service Data

Vickers®

Piston Pumps & Motors

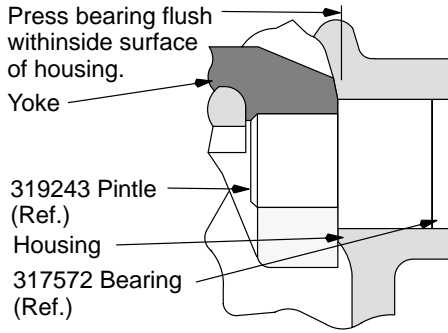


5 & 6 USgpm Variable Inline Piston Units

MVB5-(F)UDY-20-*(L)-10

PVB5-(F)**Y-20-*(C)(*)-1*

PVB6-(F)**Y-20-*(C)(*)-1*



Pintle Bearing Assembly Note
 Make certain the bearing O.D. surface and the mating surface in the housing is clean. Apply sealing compound (Loctite A (10-1) or equivalent) to the bearing O.D. and press in place.



CAUTION
 Do not allow sealing compound to contact the bearing needles.

NOTE
 Type 'C' & 'CM' Compensator Control Parts shown. See back page for manual controls. Refer to Parts Drawing I-3243-S for 'CVP' Pressure Limiting & Load Sensing Compensator Control.

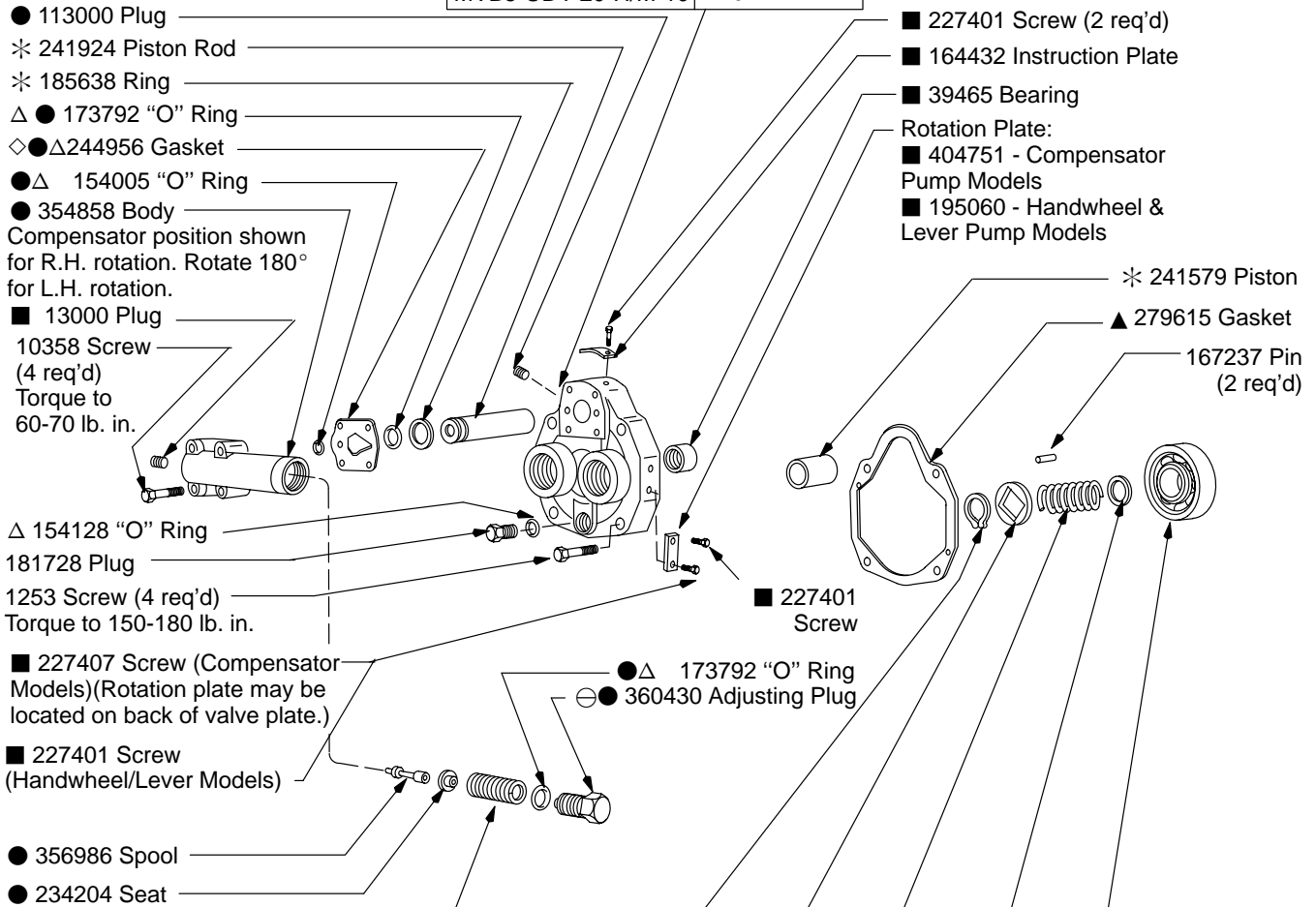
● Included in pressure compensator S/A's shown in table.

■ Included in Valve S/A Plate

CAUTION
 Model PVB6 compensator pressure adjustment shall not exceed 2000 psi.

Model	Valve Plate S/A
PVB*-RSY-20-C(*)-11	942223
PVB*-LSY-20-C(*)-11	942224
PVB*-RDY-20-H/M-10	942225
PVB*-LDY-20-H/M-10	942246
MVB5-UDY-20-H/M-10	942227

CAUTION
 Position compensator gasket with small end of teardrop hole pointing in direction of compensator adjusting plug.



Pressure Range (PSI)	Compensator S/A	Spring
(C) 250-3000 (5)	942158	● 239371
⊖ 250-2000 (6)	942159	● 265693
(CM) 250-1500		

MODEL	RETAINING RING	LIFT LIMITER	SPRING	THRUST WASHER	CYLINDER BLOCK	ROTATING GROUP KIT
	— THESE PARTS ARE INCLUDED IN ROTATING GROUP KIT —					
PVB5-**-Y-20					274670	938262
MVB5-**-Y-20	165385	273409	274787	275474	316000	938265
PVB6-**-Y-20					315148	938264

▲Included in
919191 Seal Kit

F3 Equivalent
919308 Seal Kit

Model	Yoke	Housing
PVB*-D*Y-20-H-1	237192	436462
PVB*-D*Y-20-M-1		308334
PVB*-S*Y-20-C(*)(*)-1*	231557	

319243 Pintle
317572 Bearing
See Pintle Bearing
Assembly Note

*Used with Compensator
Control only

Model	*Seat	*Spring
PVB*-SY-20-C/CM	373131	373132

140508 Pin (1 req'd)
(Use with H/M model only)

Identification Plate

227401 Screw (2 req'd)

237014 Shaft Seal
(Assemble with
spring toward yoke.)

190362 Retainer

266162 Shaft

142843 Key

283233 Bearing

98653 Retaining Ring

140356 Retaining Ring

FB-A-10 Mounting Kit
(Includes screws)
(Used with F Model only)

177939 Screw (2 req'd)
(Used with F
Model only)

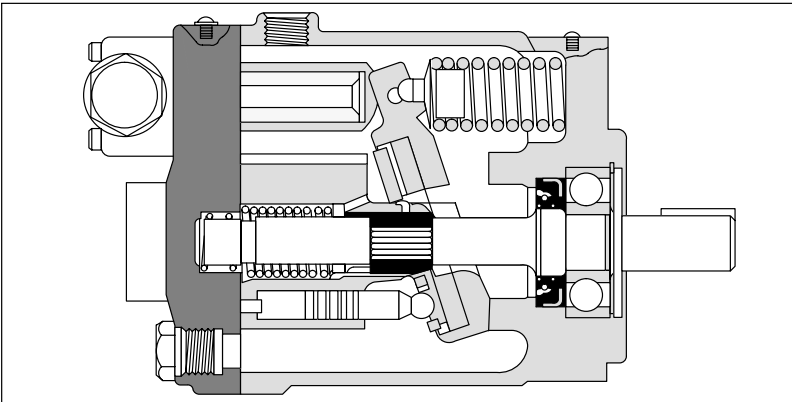
Model	▲ "O" Ring	Control Pintle	Bearing
H-10	200088	237191	242222
M-10		237433	

Pintle	◆ Bearing	Model
319243	317572	C/CM

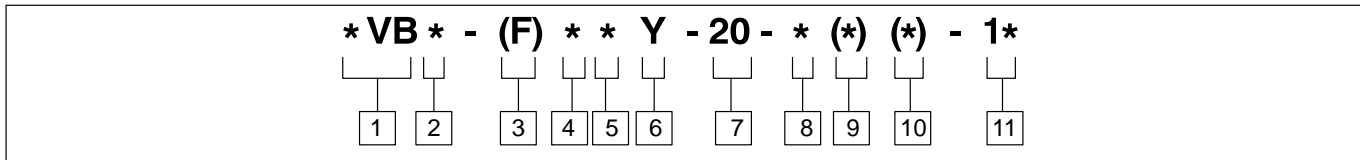
MODEL	PIN (3 REQ'D)	WASHER	SPHERICAL WASHER	SHOE PLATE	PISTON S/A KIT	SWASH PLATE	ROTATING GROUP KIT
	THESE PARTS ARE INCLUDED IN ROTATING GROUP KIT						
PVB5-**Y-20	248203	274956	275485	274249	942229	319245	938262
MVB5-**Y-20					942230		938265
PVB6-**Y-20							938264

Piston S/A Kit includes
9 Piston S/A

◆ See Pintle Bearing Assembly Note



Model Code



1 Model

Variable displacement, inline piston unit

- M** - Motor
- P** - Pump

2 Flow rating @ 1800 rpm

- 5** - 5 USgpm
- 6** - 6 USgpm

3 Mounting

F - Foot bracket
(Omit for flange mount)

4 Rotation

Viewing from shaft end
R - Right hand
L - Left hand
U - Either direction (motor only)

5 Swash Plate Movement

- D** - Both sides of center
- S** - One side of center

6 Shaft End

Y - Standard

7 Pump Design

8 Control Type

- Pressure Compensator
- C** - 250-3000 psi (5 USgpm)
250-2000 psi (6 USgpm)
- CM** - 250-1500 psi (5-6 USgpm)
- CVP** - Pressure limiter load sensing
- H** - Handwheel
- M** - Lever

9 Optional Features

C - Adjustable Maximum Displacement Stop
(Pressure Compensated Models only. See I-3255-S)

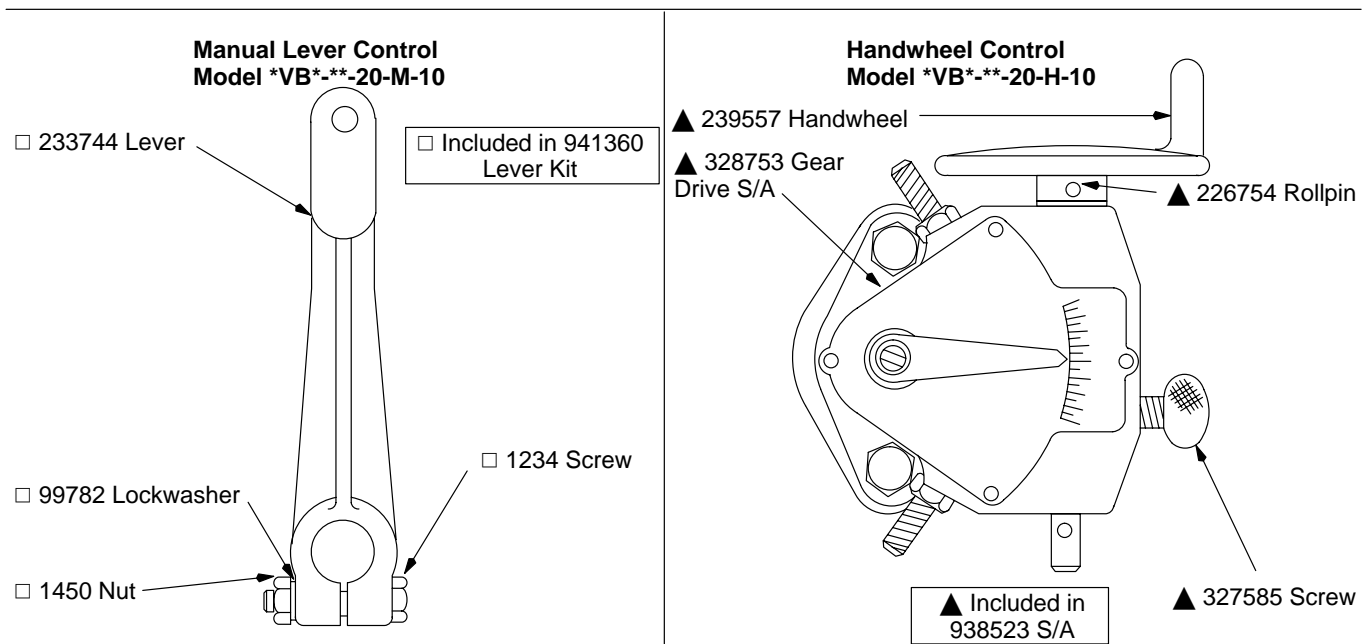
10 Compensator Variations

- D** - Dual-range (Electric control 115 volts-60 cycle)
- DH** - Dual-range (Hydraulic control)

Other control or options:

L - Left hand viewing shaft end
(Omit for right hand)

11 Control Design Number



For satisfactory service life of these components, use full flow filtration to provide fluid which meets ISO cleanliness code 16/13 or cleaner. Selections from pressure, return, and in-line filter series are recommended.