

Service Data

Vickers®

Piston Pumps & Motors

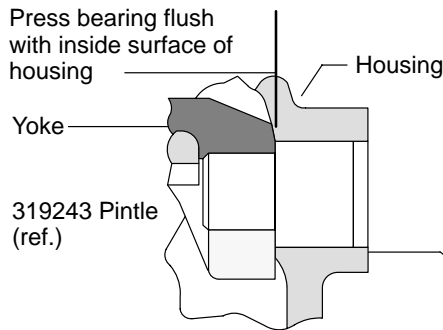


Variable Inline Piston Units 5 & 6 USgpm

MVB5-(F)UDY-21-*(L)-10

PVB5-(F)**Y-21-*(C)(*)-1*

PVB6-(F)**Y-21-*(C)(*)-1*



PINTLE BEARING ASSEMBLY NOTE

Make certain the bearing O.D. surface and the mating surface in the housing is clean. Apply sealing compound (Loctite A (10-1) or equivalent) to the bearing O.D. and press in place.



CAUTION

Do not allow sealing compound to contact the bearing needles.

Model	Valve Plate S/A
PVB*-RS-21-C(*)-11	942223
PVB*-LS-21-C(*)-11	942224
PVB*-RD-21-H/M-10	942225
PVB*-LD-21-H/M-10	942224
MVB5-UD-20-H/M-10	942227

- △ 241579 Piston
- 39465 Bearing
- 227401 Screw (2 req'd)
- 164432 Instruction plate
- Valve plate S/A (see table)
- 113000 Plug
- △ 241924 Piston rod
- △ 185638 "O" ring
- ▲ 173792 "O" ring
- ◇▲ 244956 Gasket
- ▲ 154005 "O" ring
- 354858 Body
- 113000 Plug

10358 Screw (4 req'd)
Torque 60-70 lb.in.



◇ **CAUTION**
Install gasket with small end of teardrop hole pointing in direction of compensator adj. plug.

- 275485 Spherical washer
- 451925 Pin retainer
- 451936 Pin (3 req'd)
- Cylinder block (see table)
- 451924 Thrust washer
- 274787 Spring
- 167237 Pin (2 req'd)
- 273409 Lift limiter
- 165385 Retaining ring
- ▲ 279615 Gasket
- 227401 Screw (see table)
- Rotation plate (see table)
- 1253 Screw (4 req'd)
Torque 150-180 lb.in.
- ▲ 154128 "O" ring
- 181728 Plug
- ⊕ □ 360430 Adjustment plug
- ▲ □ 173792 "O" ring
- Compensator spring (see table)
- 234204 Seat
- 356986 Spool

Rotation plate	Screw	Model
404751	227407	C/CM
195060	227401	H/M

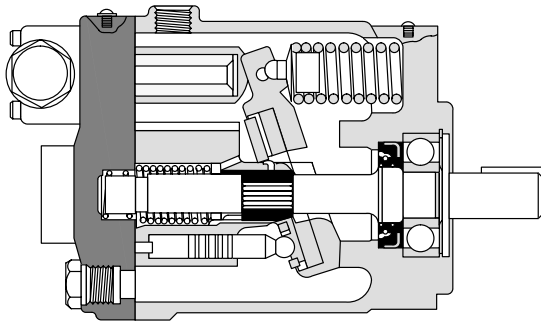


⊕ **CAUTION**
Model PVB6 compensator pressure adjustment shall not exceed 2000 psi.

Pressure Range (psi)	Compensator Kit	Spring
(C) 250-3000 (PVB5)	942158	239371
⊕ 250-2000 (PVB6)		
(CM) 250-1500	942159	265693

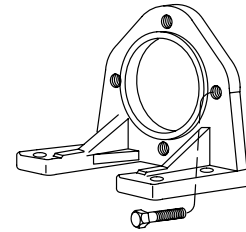
Type C & CM compensator control parts are shown. Refer to back page for manual controls and I-3243-S for CVP pressure limiting & load sensing controls.

- ▲ Included in 919191 Seal kit F3 equivalent 919308
- Included in Valve Plate S/A
- Included in Pressure Compensator Kit
- Included in Rotating Group
- △ Used with compensator control only

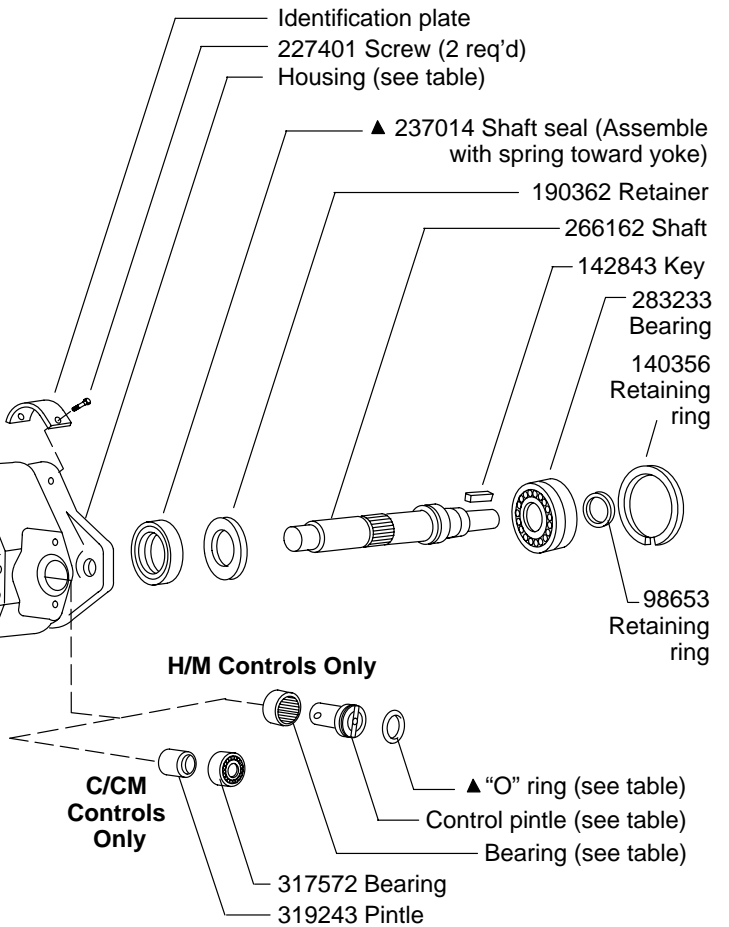
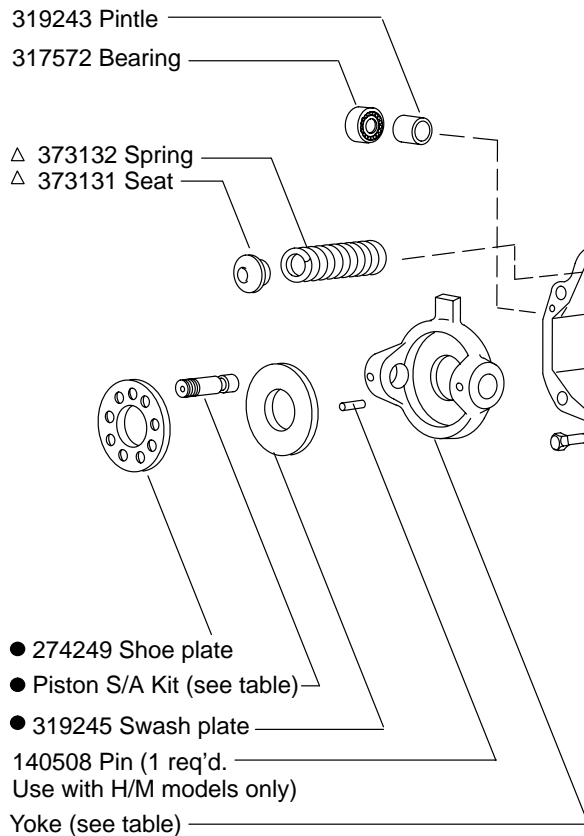


FOOT BRACKET OPTION

FB-A-10 Mounting kit
(Includes screws)



Models	Yoke	Housing
Motors & handwheel (M), lever (L) & no control pumps	237192	436462
Pressure compensated pumps	231557	308334



Bearing	Control Pintle	"O"ring	Model
242222	237191	200088	H-10
	237433		M-10

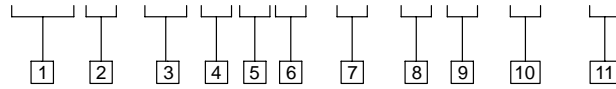
Cylinder Block	Piston S/A Kit	Rotating Group	Model
677061	942229	875775	PVB5
677059	942229	875772	MVB5
677060	942230	875773	PVB6

NOTE

For satisfactory service life of these components, use full flow filtration to provide fluid which meets ISO cleanliness code 16/13 or cleaner. Selections from pressure, return and in-line filters series are recommended.

Model Code

VB * - (F) * * Y - 21 - * (*) (*) - 1



1 Variable displacement in-line piston unit

P – Pump
M – Motor

2 USgpm flow rating @1800 rpm

5 – 5 USgpm
6 – 6 USgpm

3 Mounting

F – Foot bracket
(Omit for flange mount)

4 Rotation (Viewed from shaft end)

L – Left hand
R – Right hand
U – Either direction (Motor only)

5 Swash plate movement

D – Both sides of center
S – One side of center

6 Shaft end

Y – Standard

7 Pump design

8 Control type

Pressure Compensator

C – 250-3000 psi (PVB5)
250-2000 psi (PVB6)
CM - 250-1500 psi (PVB5 & 6)
CVP – Pressure limiter load sensing
H – Handwheel
M – Lever

9 C – Adjustable maximum displacement stop

(Pressure compensated models only
See I-3255-S)

10 Other controls or options

L – Left hand viewing shaft end
(Omit for right hand models)

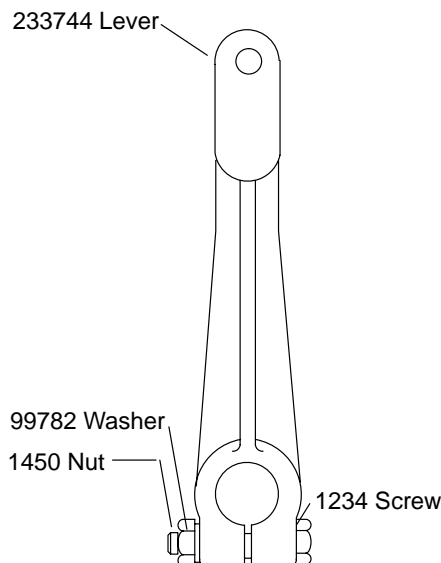
Compensator variations

D – Dual-range (electric control
115 volts-60 cycle
DH – Dual-range (hydraulic control)

11 Control design number

Manual Lever Control (M)

Parts shown included in 941360 kit



Handwheel Control (H)

Parts shown included in 938523 kit

