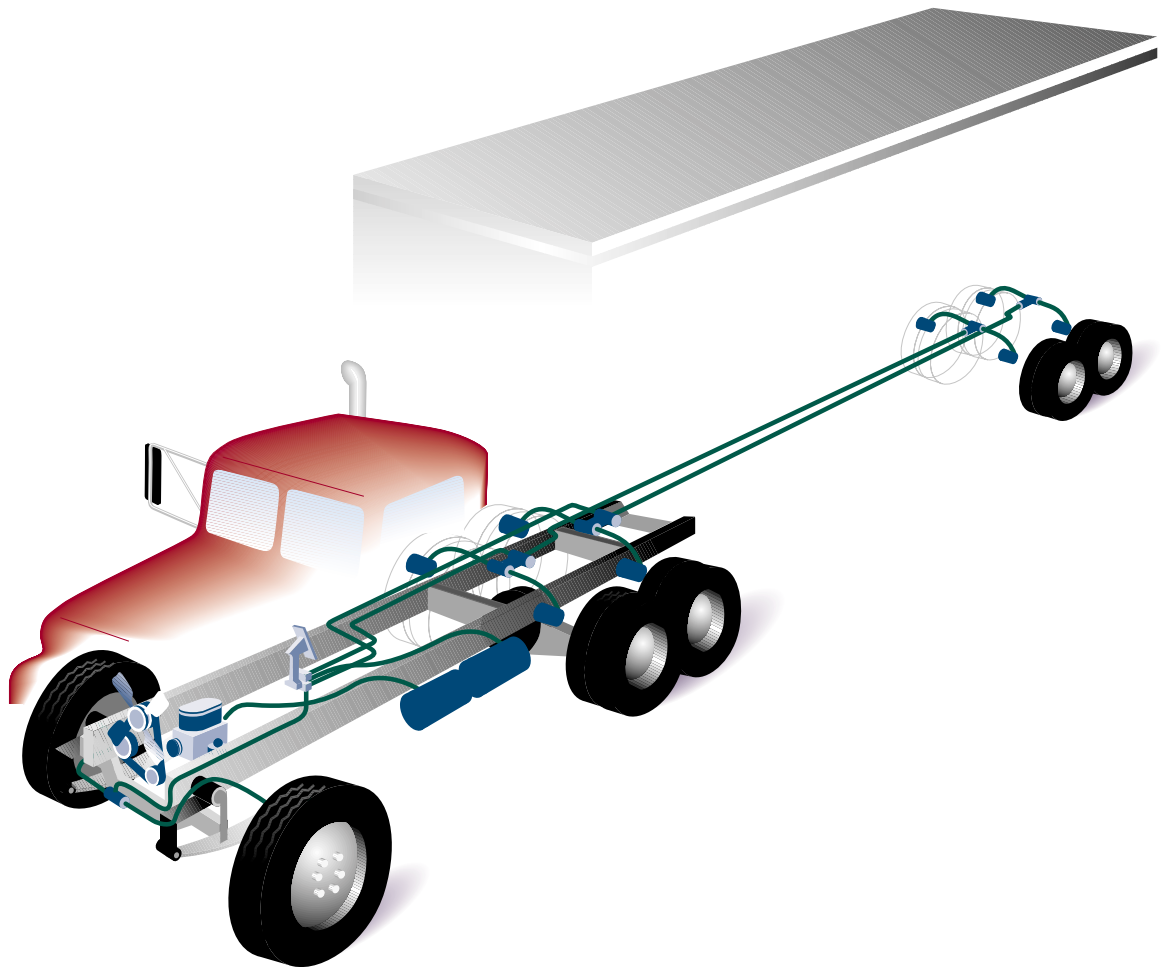


Compressor Air Brake Systems



FC186 Compressor Discharge Hose

Features:

- Extruded Teflon* tube
- Stainless steel braid reinforcement
- Standard crimp and screw-together reusable fittings

Benefits:

- Excellent temperature performance (-65°F to +400°F/-54°C to +204°C) for air compressor discharge applications
- Excellent abrasion and corrosion resistance
- Wide selection of available fitting designs



* Teflon is a trademark of DuPont

Aeroquip FC186

Compressor Discharge Hose



Specifications and Performance:

Part Number	Hose I.D. (mm/inch)	Hose O.D. (mm/inch)	Max. Oper. Press. (Bar/psi)	Min. Burst Press. (Bar/psi)	Min. Bend Radius (mm/inch)
FC186-04	4.8/.19	7.6/.30	69/1000	414/6000	50.8/2.00
FC186-05	6.6/.26	9.4/.37	69/1000	414/6000	76.2/3.00
FC186-06	8.1/.32	10.9/.43	69/1000	414/6000	101.6/4.00
FC186-08	10.7/.42	13.7/.54	52/750	312/4500	133.4/5.25
FC186-10	13.0/.51	16.0/.63	41/600	276/4000	165.1/6.50
FC186-12	16.3/.64	19.3/.76	41/600	276/4000	196.9/7.75

Operating Temperature Range:

- -65°F to +400°F
(-54°C to +204°C)

Vacuum Rating (in/Hg):

- 28

CAUTION: Internal support coils must be used for -06 and larger hoses when used in applications where there will be extended or continuous service at high temperature with low or negative pressure. Unsupported hose may collapse in this application with a potential for property damage.



Aeroquip Corporation

Aeroquip Industrial Group
1695 Indian Wood Circle, P.O. Box 700, Maumee, Ohio 43537-0700
419/891-5100, Fax: 419/891-7890, www.aeroquip.com

Specifications are subject to change without notice / Aeroquip products are protected by patents internationally.