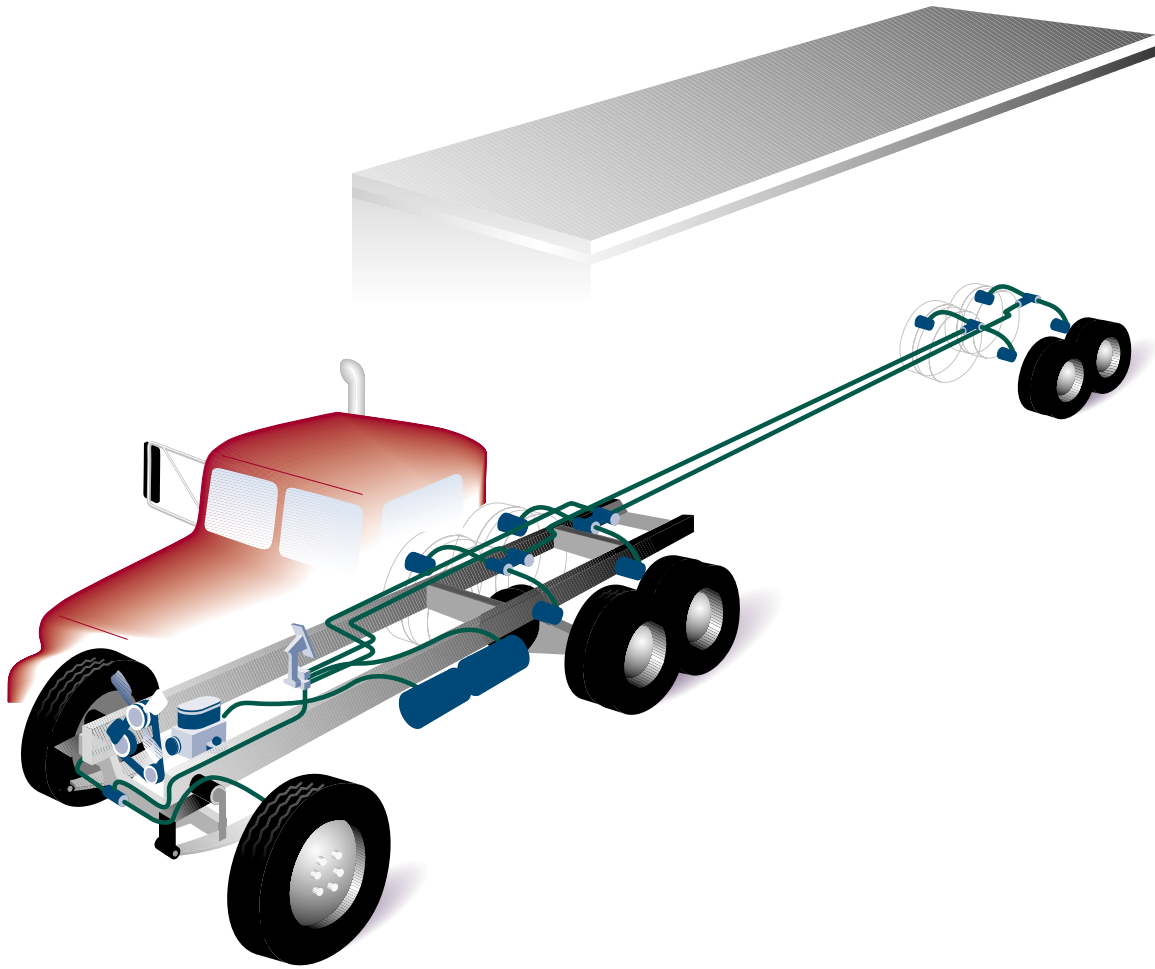


Compressor Air Brake Systems



2807 Compressor Discharge Hose

Features:

- Extruded PTFE tube
- Stainless steel braid reinforcement
- Standard crimp and screw-together reusable fittings

Benefits:

- Superior temperature performance (-100°F to +500°F/-73°C to +260°C) for air compressor discharge applications
- Excellent abrasion and corrosion resistance
- Wide selection of available fitting designs

Aeroquip 2807 Compressor Discharge Hose



Specifications and Performance:

(Exceeds SAE 100R14)

Part Number	Hose I.D. (mm/inch)	Hose O.D. (mm/inch)	Max. Oper. Press. (Bar/psi)	Min. Burst Press. (Bar/psi)	Min. Bend Radius (mm/inch)
2807-3	3.6/.14	6.6/.25	207/3000	828/12000	38.1/1.50
2807-4	4.8/.19	7.6/.30	207/3000	828/12000	50.8/2.00
2807-5	6.6/.26	9.4/.37	207/3000	828/12000	76.2/3.00
2807-6	8.1/.32	10.9/.43	172/2500	688/10000	101.6/4.00
2807-8	10.7/.42	13.7/.54	138/2000	552/8000	133.4/5.25
2807-10	13.0/.51	16.0/.63	103/1500	412/6000	165.1/6.50
2807-12	16.3/.64	19.3/.76	83/1200	332/4800	196.9/7.75

Operating Temperature Range:

- -100°F to +500°F
(-73°C to +260°C)

Vacuum Rating (in/Hg):

- 28
CAUTION: Internal support coils must be used for -06 and larger hoses when used in applications where there will be extended or continuous service at high temperature with low or negative pressure. Unsupported hose may collapse in this application with a potential for property damage.



Eaton Aeroquip
Industrial Division
3000 Strayer Road, P.O. Box 631
Maumee, Ohio 43537-0631
419/867-2600, Fax: 419/867-2629
www.aeroquip.com



Specifications subject to change without notice