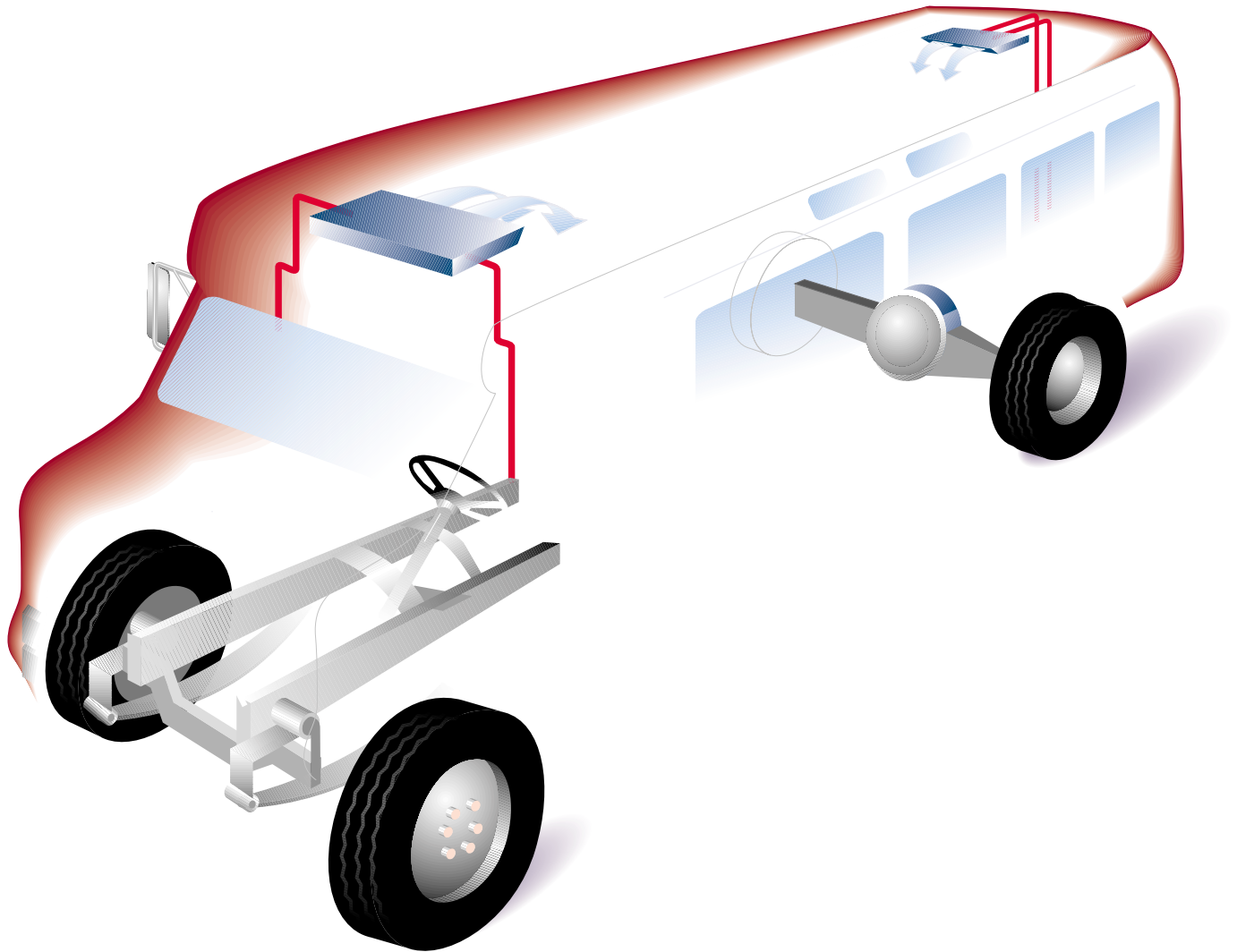


A/C & Refrigeration Systems



FC558 Refrigerant Hose for R134a

Features:

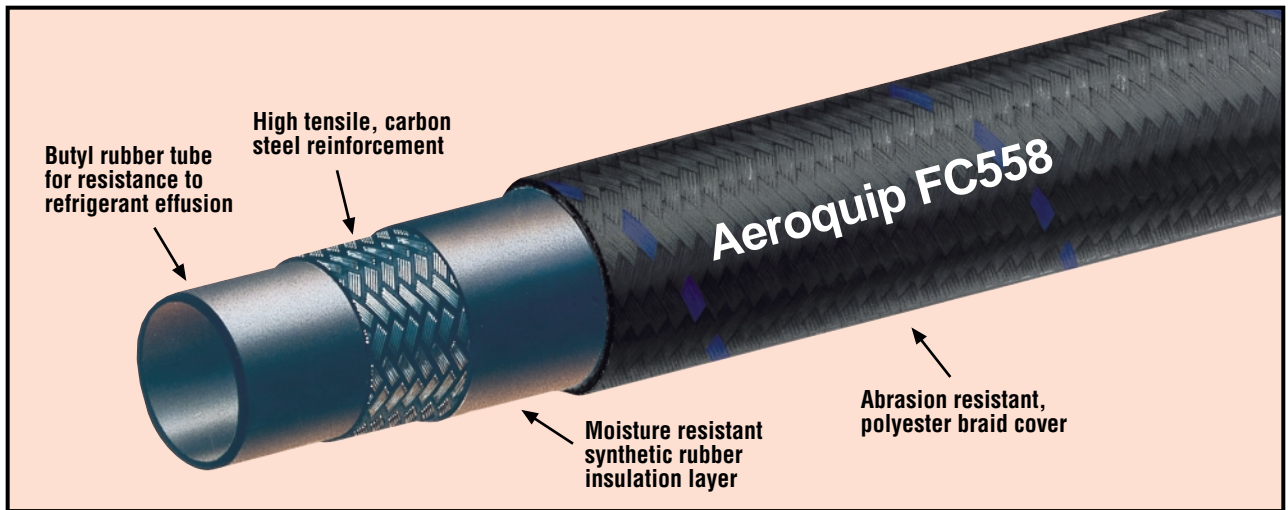
- Butyl rubber tube
- High tensile steel wire reinforcement
- Synthetic rubber insulation layer
- Polyester braid cover
- SAE 10OR5 field attachable fittings

Benefits:

- Excellent effusion resistance
- Extended service life
- Maximum resistance to moisture ingress
- Superior abrasion resistance
- Field attachable

Aeroquip FC558

R134a Refrigerant Hose



Specifications and Performance:

(meets or exceeds SAE J2064 Type B Class 1)

Part Number	Hose I.D. (mm/in)	Hose O.D. (mm/in)	Minimum Bend Radius (mm/in)
FC558-10	12.7/.50	23.4/.92	139/5.50
FC558-12	15.9/.62	26.9/1.06	165/6.50
FC558-16	22.2/.88	31.5/1.24	187/7.38
FC558-20	28.6/1.12	38.4/1.51	229/9.0
FC558-24	34.9/1.38	44.5/1.75	267/10.50

Maximum Operating Pressure (Bar/PSI)

- 35/500

Minimum Burst Pressure (Bar/PSI)

- 175/2500

Temperature Range

- -40°F to +250°F
(-40°C to +121°C)

HFC 134a Effusion

- 5.5 lbs./ft²/yr. at 176°F
(26.62 Kg/m²/yr. at 80°C)

Moisture Ingression

- .08 gm./in.²/yr.
(.013/cm²/yr.)

Fittings

- Standard Aeroquip SAE 10OR5 reusable fittings



Eaton
14615 Lone Oak Rd.
Eden Prairie, MN 55344-2287
952/937-9800, Fax: 952/974-7722
www.aeroquip.com



Specifications subject to change without notice